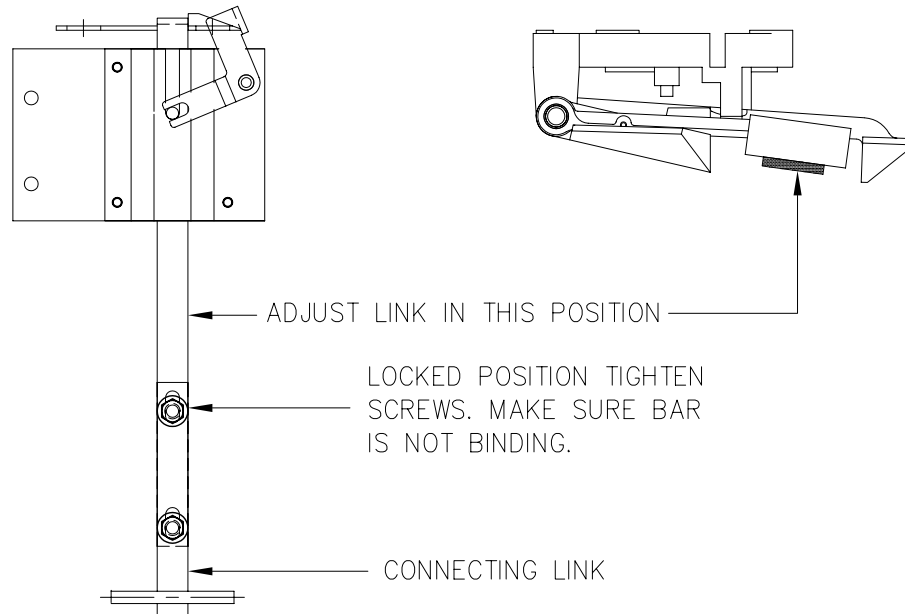


— HOW TO ADJUST —

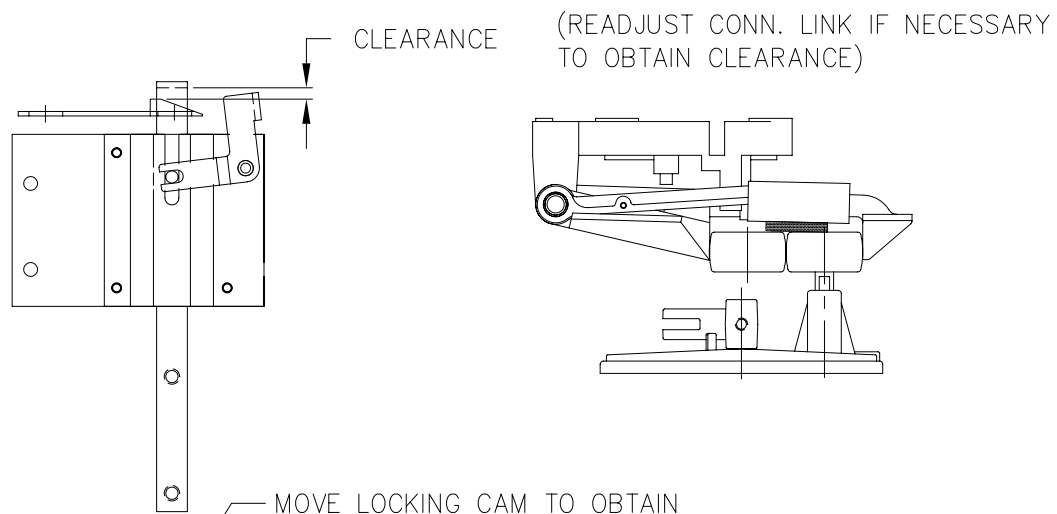
①

CAR DOOR LOCKED  
NO INTERLOCK ROLLERS PRESENT



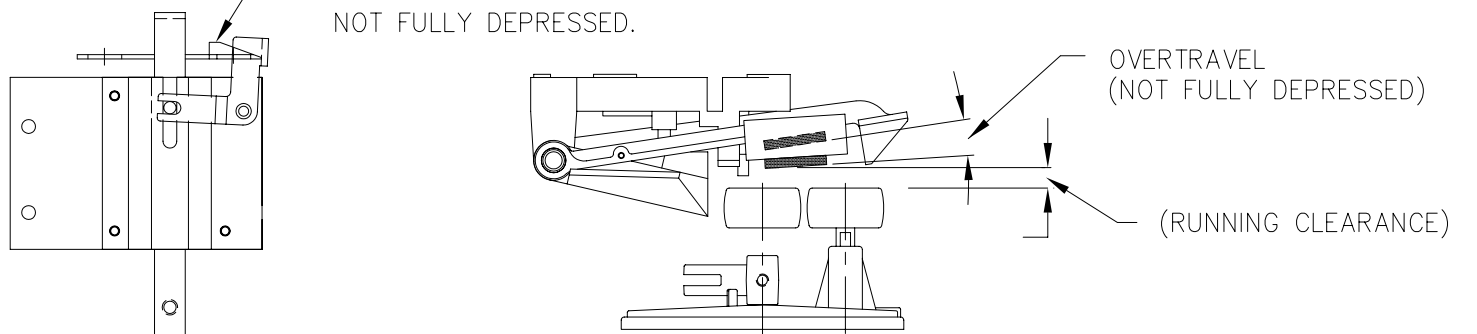
②

DOORS PARTIALLY OPENED  
SENSING BAR RESTING  
ON INTERLOCK ROLLERS



③

ELEVATOR WITH  
DOORS FULLY CLOSED  
(RUNNING POSITION)



LEFT HAND SHOWN



G.A.L. MANUFACTURING CORP.  
50 E. 153rd STREET BRONX, N.Y. 10451

— WARNING —

G.A.L. PROPRIETARY INFORMATION

REPRODUCTION AND/OR USE OF ALL OR ANY PART OF THIS (THESE) PAGE(S) OR DRAWING(S) OR THE INFORMATION HEREIN, WITHOUT THE EXPRESS PERMISSION OF G.A.L. MANUFACTURING CORPORATION IS STRICTLY PROHIBITED BY LAW.

— VIOLATORS WILL BE PROSECUTED —

				LWZ-1 ZONE LOCKING DEVICE NEW INSTALLATION	
				SCALE 1/4	DATE 5-31-94
				DWG. BY	M7410
No.	REVISION	DATE	CHK.	CHK. BY	