



**HOW TO CONNECT THE G.A.L. MOVFR OPERATOR  
 IN PLACE OF THE G.A.L. MOM/MOH OPERATOR**

The MOVFR door operator requires a minimum of 4 and a maximum of 6 input wires (two 220 volt power supply input wires and 2 to 4 input signal wires depending on the type of input signals used).

The MOM and MOH operators require from 10 to 16 wires. Seven wires may be reused by reconnecting them to the machine room controller and the MOVFR operator.

Use the following instructions along with wiring diagram no. 8112:

1. Disconnect the machine room power.
2. Machine room wires (+) and (-) can be used to provide the 220 volt AC power to the operator. To do this, remove these wires from their present machine room terminals and tape them up. Run two new wires from the (+) and (-) terminals to the AC side of the machine room door operator rectifier making sure that you can measure 200 to 230 volts AC across the two wires. The corresponding car top wires will connect to the 230 VAC LINE terminals on the MOVFR as explained below.
3. On top of the car, remove and label all wires from the existing operator.
4. Tape-up the following wires which will not be used:  
ST, RN, LO, OP, A2
5. Tape-up the following wires (if provided) which will not be used:  
FSA, FSC, ATC, SD2
6. Tape-up the following wires if the existing operator did not have nudging:  
CL, SDA .  
If the existing operator had nudging, CL and SDA were originally connected to the existing nudging relay contact and will be re-used to power the new operator nudging input. In that event, connect CL to F1.
7. Connect (+), F1 and CL together (see step 6 above for explanation of CL).
8. Remove the existing operator and Install the new operator.
9. Flip the operator power switch to the OFF position.
10. Connect these existing wires as follows:

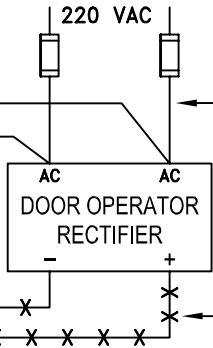
Existing car top wires	Connect to the new operator terminals
(+)	One side of 230 VAC LINE
(-)	Other side of 230 VAC LINE and to the input terminal COM
LC	Input CLOSE
A1	Input OPEN
For nudging: SDA	Input NUDG

11. Connect all other functions (door open limit, door close limit, gate contact) exactly as they were with the existing operator. CAUTION! : If the open and close limits were originally connected to either F1 or ST then the limit wires must be reconnected to some other source of DC power such as the DC side of the door operator rectifier.
12. The REOPEN terminals can be connected directly to the electric eye contact on the car top. If these terminals are connected across the electric eye contact, the door will reopen automatically if it encounters an obstruction that does not activate the electric eye.
13. Flip the AUTO-MAN toggle switch to the MAN position.
14. Turn power on.
15. Operate the OPEN-CLOSE toggle switch and check that the door opens and closes properly.
16. Operate the machine room door open relay and observe that the car top OPEN input board LED turns on. Open the door with the toggle switch all the way and observe that the input board LED turns off when the open limit LED turns on.
17. Operate the machine room door close relay and observe that the car top CLOSE input board LED turns on. Close the door with the toggle switch all the way and observe that the input board LED turns off when the close limit LED turns on.
18. Now flip the toggle switch to AUTO, operate the machine room relays and observe that the door operates correctly under power including nudging speed, if provided.

TERMINALS ON EXISTING CONTROLLER

- ⊗ FSA ⊗
- ⊗ FSC ⊗
- ⊗ ATC ⊗
- ⊗ SD2 ⊗
- ⊗ ST ⊗
- ⊗ RN ⊗
- ⊗ LO ⊗
- ⊗ OP ⊗
- ⊗ A2 ⊗
- ⊗ - ⊗
- ⊗ + ⊗
- ⊗ F1 ⊗
- ⊗ CL ⊗
- ⊗ LC ⊗
- ⊗ A1 ⊗
- ⊗ SDA ⊗
- ⊗ DCL ⊗
- ⊗ DCL1 ⊗
- ⊗ DOL ⊗
- ⊗ DOL1 ⊗

THESE WIRES ARE NO LONGER REQUIRED, THEY MAYBE REMOVED OR RETAINED.

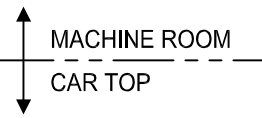


REMOVE THE "+ " - " WIRES FROM THE DC SIDE OF THE RECTIFIER AND CONNECT THEM TO THE AC SIDE.

REMOVE THESE WIRES

THESE WIRES REMAIN CONNECTED TO THE EXISTING CONTROLLER CIRCUITS.

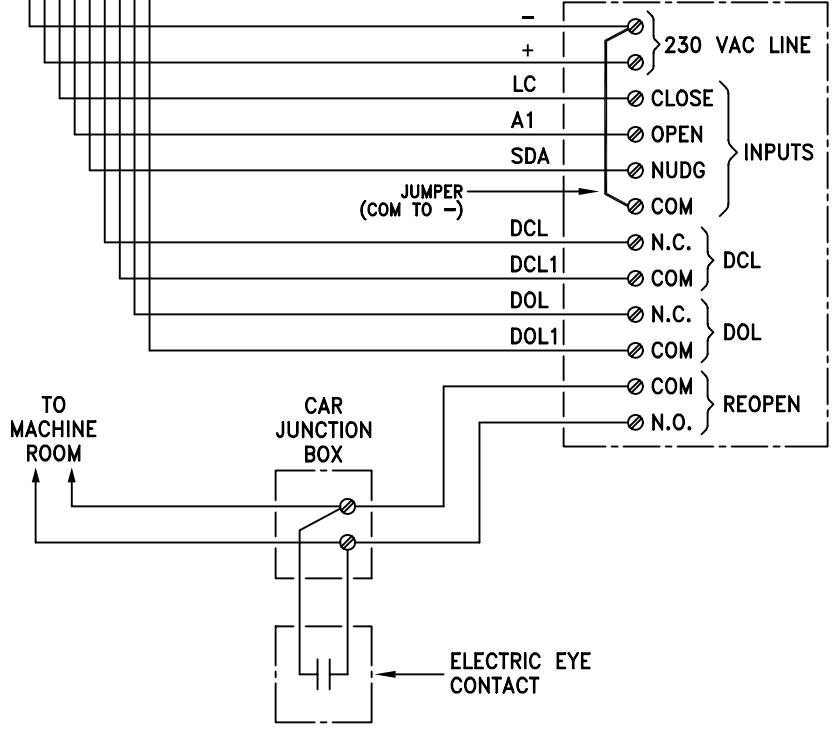
JUMPER  
JUMPER



TAPE-UP THESE ELEVEN WIRES (FSA-FSC-ATC-SD2-ST-RN-LO-OP-A2-F1-CL)

NOTE: F1, CL AND + ARE TO BE CONNECTED TOGETHER.

MOVFR OPERATOR



F/N: DOOR EQUIPMENT/FREQUENCY DRIVE/MOVFR/DOCUMENTS/8112



G.A.L. MANUFACTURING CORP.  
50 E. 153rd STREET BRONX, N.Y. 10451

DRAWN BY	T.P.	DATE	6-20-01
ENGINEER	GDC	SHEET	1 OF 1
SCALE	NONE	SIZE	

WIRING DIAGRAM FOR ADAPTING MOM/MOH OPERATOR CIRCUITS TO THE MOVFR OPERATOR

PART No.	REV
DOCUMENT No.	
8112	

REV	DESCRIPTION	DATE	ECN