

# HOLLISTER-WHITNEY ELEVATOR CORPORATION

#1 Hollister-Whitney Parkway  
Quincy, IL 62305  
Phone: 217-222-0466

Fax: 217-222-0493  
email: [engineering@hollisterwhitney.com](mailto:engineering@hollisterwhitney.com)  
[www.hollisterwhitney.com](http://www.hollisterwhitney.com)

## ENGINEERING INFORMATION: WE REQUIRE ALL CHECKED ITEMS

ENGRG. CONTACT: \_\_\_\_\_  
COMPANY: \_\_\_\_\_  
EMAIL: \_\_\_\_\_  
FAX NO: \_\_\_\_\_  
JOB NAME: \_\_\_\_\_  
ELEV. #: \_\_\_\_\_  
H-W #: \_\_\_\_\_  
FROM (H-W): \_\_\_\_\_  
DATE: \_\_\_\_\_

### GEARED MACHINES- OVERHEAD APPLICATION

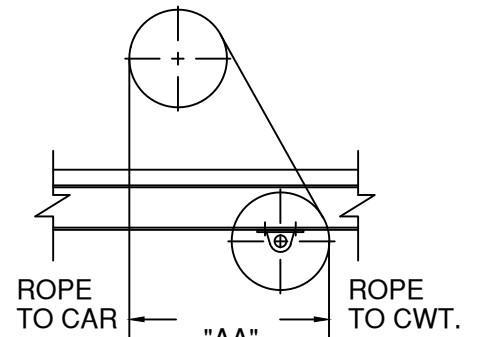
- CAPACITY: \_\_\_\_\_
- CAR SPEED: \_\_\_\_\_
- EMPTY CAR WEIGHT: \_\_\_\_\_
- HAND OF MACHINE: \_\_\_\_\_
- ROPING (1:1 OR 2:1): \_\_\_\_\_
- TRAVEL: \_\_\_\_\_
- HOIST ROPES: QUANTITY \_\_\_\_\_ SIZE \_\_\_\_\_
- PITCH OF HOIST ROPES (C.L. TO C.L. OF GROOVES ON FACE OF TRACTION SHV): \_\_\_\_\_  
(H-W STANDARD IS 7/8" FOR 1/2" ROPES AND 1" FOR 5/8" ROPES)
- CERTIFIED OUTLINE DIMENSION PRINTS OF MOTOR WITH FULL LOAD R.P.M. INCLUDED
- MOTOR POWER SUPPLY: \_\_\_\_\_ VOLTAGE
- FOR EXISTING MOTORS ONLY, PLEASE FILL IN DIMENSIONS ON ENCLOSED BULL. 1109
- ASME A17 CODE COMPLIANCE TO WHICH YEAR REVISION: \_\_\_\_\_
- SEISMIC ZONE: \_\_\_\_\_
- DO YOU HAVE AN EXISTING DEFLECTOR SHEAVE: \_\_\_\_\_  
 IF NOT, WHAT DIAMETER TRACTION SHEAVE IS REQUIRED: \_\_\_\_\_
- DO THE HOIST ROPES DROP STRAIGHT DOWN TO THE CAR HITCH  
AS SHOWN IN SKETCH "A" ? \_\_\_\_\_
- PROVIDE THE CAR TO CWT. ROPE DROP DISTANCE: \_\_\_\_\_  
(SEE SKETCH "A" - DIM. "AA")

### SHEAVES

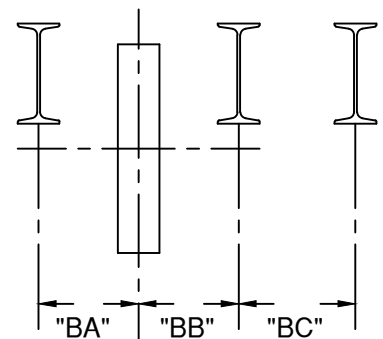
- HOIST ROPES: QUANTITY \_\_\_\_\_ SIZE \_\_\_\_\_
- PITCH OF HOIST ROPES: \_\_\_\_\_
- BEAM / CHANNEL SIZE: \_\_\_\_\_ " H x \_\_\_\_\_ " W
- BEAM SPACING (SEE SKETCH "B" - DIM. "BA", "BB" & "BC")
- IF DEFLECTOR MOUNTING IN MACHINE ROOM  
SEE ATTACHED SURVEY E-147

### MACHINE ISOLATION

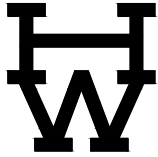
- IS FLOOR SLAB EXISTING? \_\_\_\_\_
- FLOOR SLAB THICKNESS: \_\_\_\_\_  
(ABOVE MACHINE BEAMS)
- BEAM / CHANNEL SIZE: \_\_\_\_\_ " H x \_\_\_\_\_ " W
- BEAM SPACING (SEE SKETCH "B" - DIM. "BA", "BB" & "BC")



SKETCH "A"



SKETCH "B"



# HOLLISTER-WHITNEY ELEVATOR CORPORATION

#1 Hollister-Whitney Parkway  
Quincy, IL 62305  
Phone: 217-222-0466

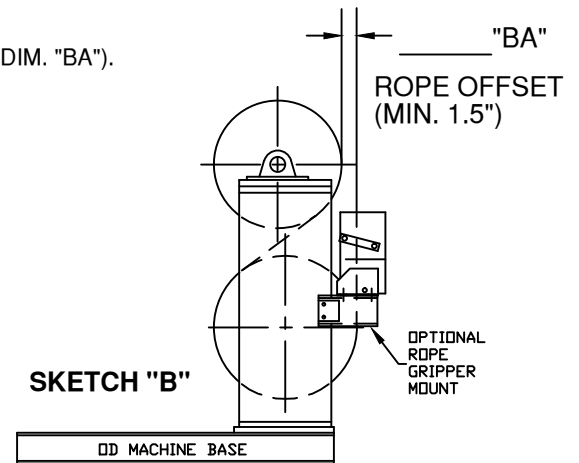
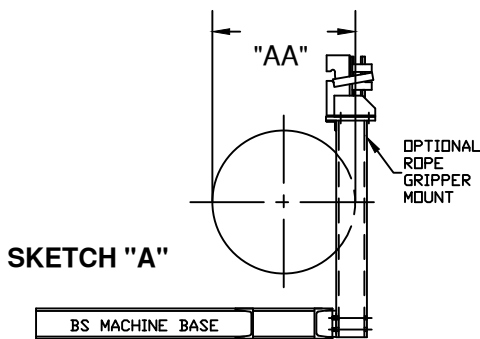
Fax: 217-222-0493  
email: [engineering@hollisterwhitney.com](mailto:engineering@hollisterwhitney.com)  
[www.hollisterwhitney.com](http://www.hollisterwhitney.com)

## ENGINEERING INFORMATION: WE REQUIRE ALL CHECKED ITEMS

### GEARED MACHINES- BASEMENT APPLICATION

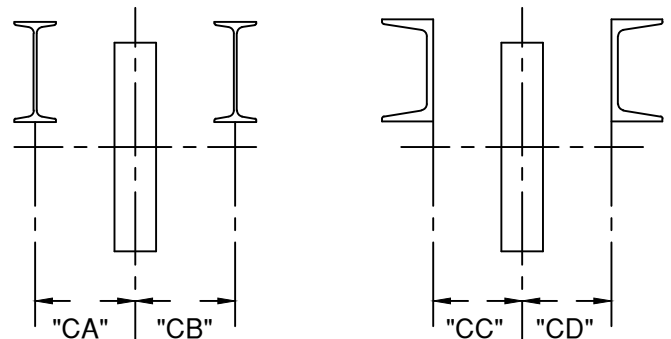
- CAPACITY: \_\_\_\_\_
- CAR SPEED: \_\_\_\_\_
- EMPTY CAR WEIGHT: \_\_\_\_\_
- HAND OF MACHINE: \_\_\_\_\_
- ROPING (1:1 OR 2:1): \_\_\_\_\_
- TRAVEL: \_\_\_\_\_
- HOIST ROPES: QUANTITY \_\_\_\_\_ SIZE \_\_\_\_\_
- PITCH OF HOIST ROPES (C.L. TO C.L. OF GROOVES ON FACE OF TRACTION SHV): \_\_\_\_\_  
(H-W STANDARD IS 7/8" FOR 1/2" ROPES AND 1" FOR 5/8" ROPES)
- CERTIFIED OUTLINE DIMENSION PRINTS OF MOTOR WITH FULL LOAD R.P.M. INCLUDED
- MOTOR POWER SUPPLY: \_\_\_\_\_ VOLTAGE
- FOR EXISTING MOTORS ONLY, PLEASE FILL IN DIMENSIONS ON ENCLOSED BULL. 1109
- ASME A17 CODE COMPLIANCE TO WHICH YEAR REVISION: \_\_\_\_\_
- SEISMIC ZONE: \_\_\_\_\_
- "BS" BASEMENT MACHINES, WHAT TRACTION SHEAVE DIAMETER IS REQUIRED: \_\_\_\_\_  
(SEE SKETCH "A" - DIM. "AA")
- "OD" BASEMENT MACHINES, PROVIDE ROPE OFFSET (SEE SKETCH "B" - DIM. "BA").
- IS ROPE GRIPPER MOUNTING REQUIRED ON THE MACHINE: \_\_\_\_\_

ENGRG. CONTACT: \_\_\_\_\_  
 COMPANY: \_\_\_\_\_  
 EMAIL: \_\_\_\_\_  
 FAX NO: \_\_\_\_\_  
 JOB NAME: \_\_\_\_\_  
 ELEV. #: \_\_\_\_\_  
 H-W #: \_\_\_\_\_  
 FROM (H-W): \_\_\_\_\_  
 DATE: \_\_\_\_\_

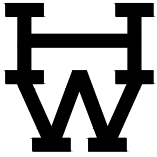


### SHEAVES (OVERHEAD/CAR/CWT.)

- QUANTITY: CAR SHVS. \_\_\_\_\_ CWT. SHVS. \_\_\_\_\_
- DIAMETER: CAR SHVS. \_\_\_\_\_ CWT. SHVS. \_\_\_\_\_
- HOIST ROPES: QUANTITY \_\_\_\_\_
- HOIST ROPES: SIZE \_\_\_\_\_
- PITCH OF HOIST ROPES: \_\_\_\_\_
- BEAM / CHANNEL SIZE: \_\_\_\_\_ " H x \_\_\_\_\_ " W
- BEAM SPACING : \_\_\_\_\_  
(SEE SKETCH "C" - DIM. "CA"/ "CB" OR "CC"/ "CD")



SKETCH "C"



# HOLLISTER-WHITNEY ELEVATOR CORPORATION

#1 Hollister-Whitney Parkway  
Quincy, IL 62305  
Phone: 217-222-0466

Fax: 217-222-0493  
email: [engineering@hollisterwhitney.com](mailto:engineering@hollisterwhitney.com)  
[www.hollisterwhitney.com](http://www.hollisterwhitney.com)

## ENGINEERING INFORMATION: WE REQUIRE ALL CHECKED ITEMS

### GEARLESS MACHINES- OVERHEAD APPLICATION

- CAPACITY: \_\_\_\_\_
- CAR SPEED: \_\_\_\_\_
- EMPTY CAR WEIGHT: \_\_\_\_\_
- ROPING (1:1 OR 2:1): \_\_\_\_\_
- TRAVEL: \_\_\_\_\_
- HOIST ROPES: QUANTITY \_\_\_\_\_ SIZE \_\_\_\_\_
- PITCH OF HOIST ROPES (C.L. TO C.L. OF GROOVES ON FACE OF TRACTION SHV): \_\_\_\_\_
- ARE YOU RETAINING AN EXISTING DEFLECTOR SHEAVE: \_\_\_\_\_ DIA. \_\_\_\_\_
- IF NOT, WHAT DIAMETER TRACTION SHEAVE IS REQUIRED (15", 20", 25" AVAILABLE): \_\_\_\_\_
- PROVIDE THE CAR TO CWT. ROPE DROP DISTANCE (SEE SKETCH "A" - DIM "AA"): \_\_\_\_\_
- MACHINE POWER SUPPLY: \_\_\_\_\_ VOLTAGE
- CONTROLLER MANUFACTURER: \_\_\_\_\_
- DRIVE MANUFACTURER:  KEB  MAGNETEK  OTHER (CABLE BY CUSTOMER)
- IS MANUAL BRAKE RELEASE CABLE REQUIRED? \_\_\_\_\_ IF SO, SPECIFY LENGTH (STD. IS 8'-0"): \_\_\_\_\_  
( IF USING G.A.L. CONTROL, CONFIRM WITH THEM IF BRAKE RELEASE CABLE IS REQUIRED)
- ENCODER CABLE LENGTH (STD. IS 20 METER [65.6'] ): \_\_\_\_\_
- ASME A17 CODE COMPLIANCE TO WHICH YEAR REVISION: \_\_\_\_\_
- SEISMIC ZONE: \_\_\_\_\_

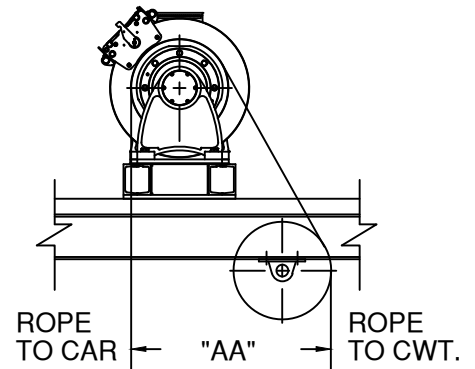
ENGRG. CONTACT: \_\_\_\_\_  
 COMPANY: \_\_\_\_\_  
 EMAIL: \_\_\_\_\_  
 FAX NO: \_\_\_\_\_  
 JOB NAME: \_\_\_\_\_  
 ELEV. #: \_\_\_\_\_  
 H-W #: \_\_\_\_\_  
 FROM (H-W): \_\_\_\_\_  
 DATE: \_\_\_\_\_

### SHEAVES

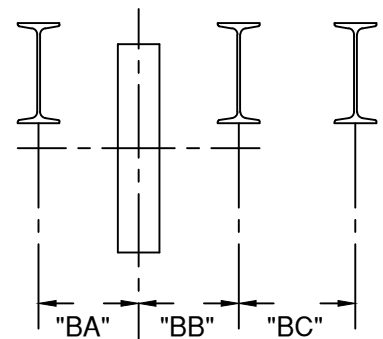
- HOIST ROPES: QUANTITY \_\_\_\_\_ SIZE \_\_\_\_\_
- PITCH OF HOIST ROPES: \_\_\_\_\_
- BEAM SPACING (SEE SKETCH "B" - DIM. "BA", "BB" & "BC")
- IF DEFLECTOR MOUNTING IN MACHINE ROOM  
SEE ATTACHED SURVEY E-147

### MACHINE ISOLATION

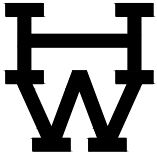
- IS FLOOR SLAB EXISTING: \_\_\_\_\_
- FLOOR SLAB THICKNESS: \_\_\_\_\_  
(ABOVE MACHINE BEAMS)
- BEAM / CHANNEL SIZE: \_\_\_\_\_ " H x \_\_\_\_\_ " W
- BEAM SPACING (SEE SKETCH "B" - DIM. "BA", "BB" & "BC")



SKETCH "A"



SKETCH "B"



# HOLLISTER-WHITNEY ELEVATOR CORPORATION

#1 Hollister-Whitney Parkway  
Quincy, IL 62305  
Phone: 217-222-0466

Fax: 217-222-0493  
email: [engineering@hollisterwhitney.com](mailto:engineering@hollisterwhitney.com)  
[www.hollisterwhitney.com](http://www.hollisterwhitney.com)

## ENGINEERING INFORMATION: WE REQUIRE ALL CHECKED ITEMS

ENGRG. CONTACT: \_\_\_\_\_  
COMPANY: \_\_\_\_\_  
EMAIL: \_\_\_\_\_  
FAX NO: \_\_\_\_\_  
JOB NAME: \_\_\_\_\_  
ELEV. #: \_\_\_\_\_  
H-W #: \_\_\_\_\_  
FROM (H-W): \_\_\_\_\_  
DATE: \_\_\_\_\_

### SAFETIES

- EMPTY CAR WEIGHT: \_\_\_\_\_
- CAPACITY: \_\_\_\_\_
- COMPENSATION WEIGHT(IF APPL.): \_\_\_\_\_
- CAR SPEED: \_\_\_\_\_
- FACE TO FACE OF GUIDE RAILS: \_\_\_\_\_
- RAIL SIZE (IN LBS.): \_\_\_\_\_
- GOVERNOR LOCATION (SHOW ON SKETCH "D")
- STILE SIZE: \_\_\_\_\_

### GOVERNORS

- CAR SPEED: \_\_\_\_\_
- TRIPPING SPEED: \_\_\_\_\_
- SHEAVE DIAMETER (12" OR 16"): \_\_\_\_\_
- GOVERNOR ROPE DIAMETER: \_\_\_\_\_
- GOVERNOR PULL-THRU (IN LBS.): \_\_\_\_\_ OR  
TYPE OF EXIST. SAFETY (DRUM, GRADUAL, ETC.): \_\_\_\_\_
- HAND OR LOCATION (SHOW ON SKETCH "D")

### TENSION WEIGHTS

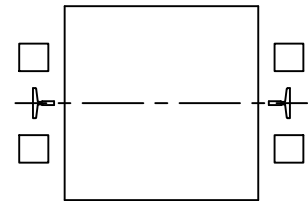
- RAIL SIZE (IN LBS.): \_\_\_\_\_
- SHEAVE DIAMETER (12" OR 16"): \_\_\_\_\_
- GOVERNOR ROPE DIAMETER: \_\_\_\_\_

### SHOES AND PLATES

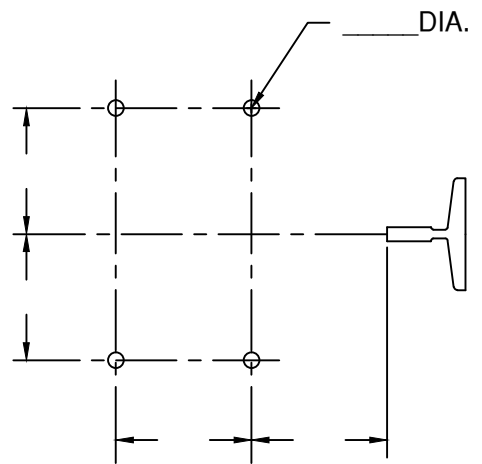
- SHOE TYPE: \_\_\_\_\_ MANUFACTURER: \_\_\_\_\_
- RAIL SIZE (IN LBS.): \_\_\_\_\_
- TEMPLATE (FILL IN ALL DIMS. ON SKETCH "E")

### ROPE GRIPPERS

- EMPTY CAR WEIGHT: \_\_\_\_\_
- CAPACITY: \_\_\_\_\_
- COMPENSATION WGT.(IF APPL.): \_\_\_\_\_
- CAR SPEED: \_\_\_\_\_
- 1: 1 OR 2:1 ROPED: \_\_\_\_\_
- HOIST ROPES: QUANTITY \_\_\_\_\_ SIZE \_\_\_\_\_
- OUT-TO-OUT OF HOIST ROPES (SEE SKETCH "F" - DIM. "FF"): \_\_\_\_\_
- GEARED GRIPPER POWER SUPPLY (115V OR 230V): \_\_\_\_\_ V.
- GEARED GRIPPER HAND (LEFT OR RIGHT): \_\_\_\_\_  
(NOT REQUIRED IF MOUNTED ON OH MACHINE)



FRONT  
SKETCH "D"



SKETCH "E"



SKETCH "F"