



Hollister-Whitney Elevator Corporation

#1 Hollister-Whitney Parkway
Quincy, IL 62305
Phone: 217-222-0466

Fax: 217-222-0493
e-mail: info@hollisterwhitney.com
www.hollisterwhitney.com

#207-RS GOVERNOR INSTRUCTIONS

Notes:

- 1) Read and understand all instructions prior to proceeding
- 2) Examine the RS Governor
 - a) If the Governor does not have a Spring Return on the Hammer Head (moveable Grip), use section "G1" for Installation and Adjustment,
 - b) If the Governor has a Spring Return on the Hammer Head, use section "G2" for Installation and Adjustment.

Section G1 - #207-RS GOVERNOR INSTALLATION AND ADJUSTMENT INSTRUCTIONS **(Hammer Head without Spring Return)**

The "RS" style governors are capable of being set and reset from a remote location. They are designed for those situations where the governor is generally inaccessible, or where it is not practical to over-speed the car in the normal way.

Setting the governor is accomplished by activating a solenoid at any speed less than normal over-speed, thus setting the grips and activating the safety.

Resetting is accomplished by first running the car briefly in the "UP" direction to release the Safeties, then activating the Governor Set Solenoid to reset the Governor Grips. When the Governor Grips have been reset, a second Solenoid is activated to reset the Governor Switch. See the detailed instructions below.

SEQUENCE OF OPERATION

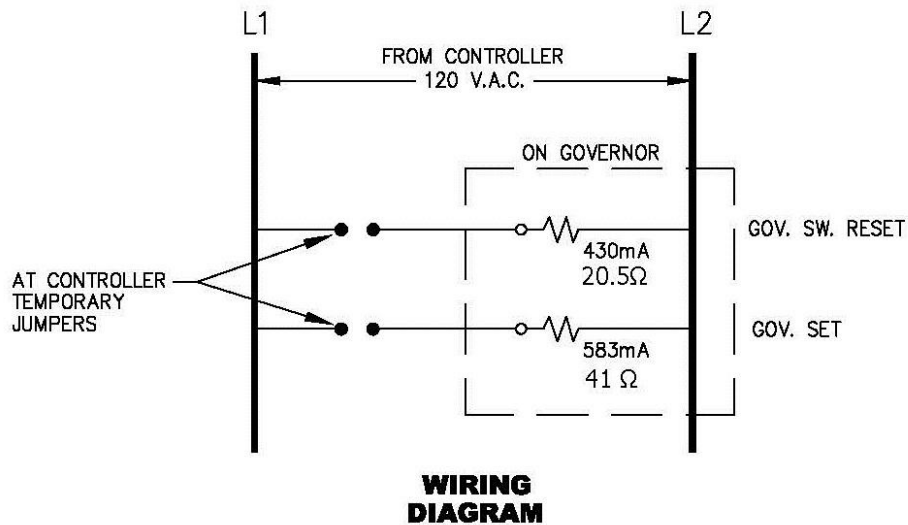
1. TO SET GOVERNOR & SAFETY:
 - a. Set up for normal safety test.
 - b. With car running in "DOWN" direction, energize the Governor Set Solenoid.
 - c. After the governor trips and the safety stops the car, de-energize the Governor Set Solenoid.
2. TO RESET:
 - a. Run car on "Inspect" in "UP" direction until safeties release the rail, **DO NOT** energize the Governor Switch Reset Solenoid at this time.
 - b. When Safeties have released the rail, Energize the Governor Set Solenoid and run the car "UP" approximately 5 feet at 35 to 40 fpm. This will return the Governor Grips into Retaining Clip: the "Open" or "Ready" position.
 - c. De-energize the Governor Set Solenoid and run car down approximately 1 foot to release the Solenoid plunger from the Governor Pawls. The Governor Grips will be held "Open" or "Ready" by the Retaining Clip.
 - d. Energize the Governor Switch Reset Solenoid briefly, 2 times. This ensures proper reset of the switch.
 - e. The Governor is now reset Mechanically and Electrically.



Hollister-Whitney Elevator Corporation

#1 Hollister-Whitney Parkway
Quincy, IL 62305
Phone: 217-222-0466

Fax: 217-222-0493
e-mail: info@hollisterwhitney.com
www.hollisterwhitney.com



Section G2 - #207-RS GOVERNOR INSTALLATION AND ADJUSTMENT INSTRUCTIONS **(Hammer Head with Spring Return – No Longer Offered)**

The “RS” style governors are capable of being set and reset from a remote location. They are designed for those situations where the governor is generally inaccessible, or where it is not practical to over-speed the car in the normal way.

Setting the governor is accomplished by activating a solenoid at any speed less than normal over-speed, thus setting the grips and activating the safety.

Resetting is accomplished by first running the car briefly in the “UP” direction. A spring resets the governor grips. Then a second solenoid is activated to reset the electrical switch.

SEQUENCE OF OPERATION:

1. TO SET GOVERNOR & SAFETY:
 - a. Set up for normal safety test.
 - b. With car running in “DOWN” direction, energize the Governor Set Solenoid.
 - c. After the governor trips and the safety stops the car, de-energize the Governor Set Solenoid.
2. TO RESET:
 - a. Run car on “Inspect” in “UP” direction until safeties release the rail. The return spring on the governor returns the governor grips to the “Open” position.
 - b. Energize the Governor Switch Reset Solenoid briefly, 2 times. This ensures proper reset of switch. The governor should now be reset electrically and mechanically.