



G.A.L. Manufacturing Corporation

50 East 153rd Street,
Bronx, N.Y. 10451

Phone 718-292-9000
Toll Free 877-425-3538
877-425-7763

Fax 718-292-2034
Web www.gal.com
E-mail info@gal.com

HATCH DOOR HANGER

MODEL	ITEM	PART DWG. No.
SS DOORS TYPE A	HATCH DOOR HANGER	HH-1
2SP DOORS TYPE A	HATCH DOOR HANGER	HH-2
CP GEARED DOORS TYPE A	HATCH DOOR HANGER	HH-3
2SCP DOORS TYPE A	HATCH DOOR HANGER	HH-4



G.A.L. MANUFACTURING CORP.

January 4, 1978

Subject: 6195 Series Type "A" Cast Hanger Sheave Assembly

TO WHOM IT MAY CONCERN:

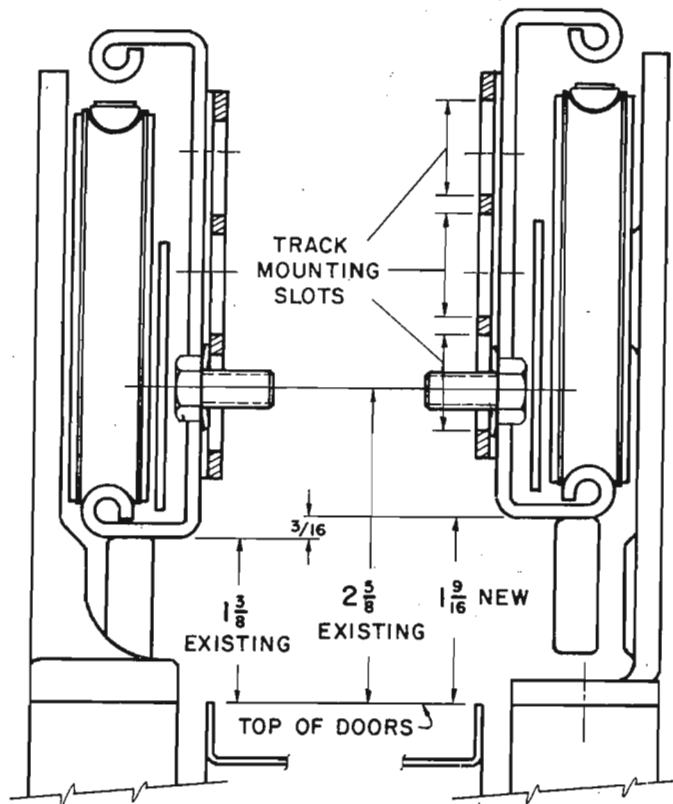
The 6195 Series Type "A" Cast Hanger Sheave Assembly is no longer available. The replacement is M-6410 Series Steel Sheave Assembly.

When a replacement sheave assembly is required, it is strongly recommended that a complete set of hanger sheaves be replaced.

You will have to adjust the hanger track by raising it $\frac{3}{16}$ " to accept the M-6410 series replacement sheave assembly. There is sufficient adjustment in the track.

CAST SHEAVES

STEEL FORMED SHEAVES



P.S. We recommend that the replaced reusable cast sheaves be stocked for future installation. We can supply replacement roller kits and hanger sheave eccentrics for this assembly.

