



G.A.L. Manufacturing Corporation

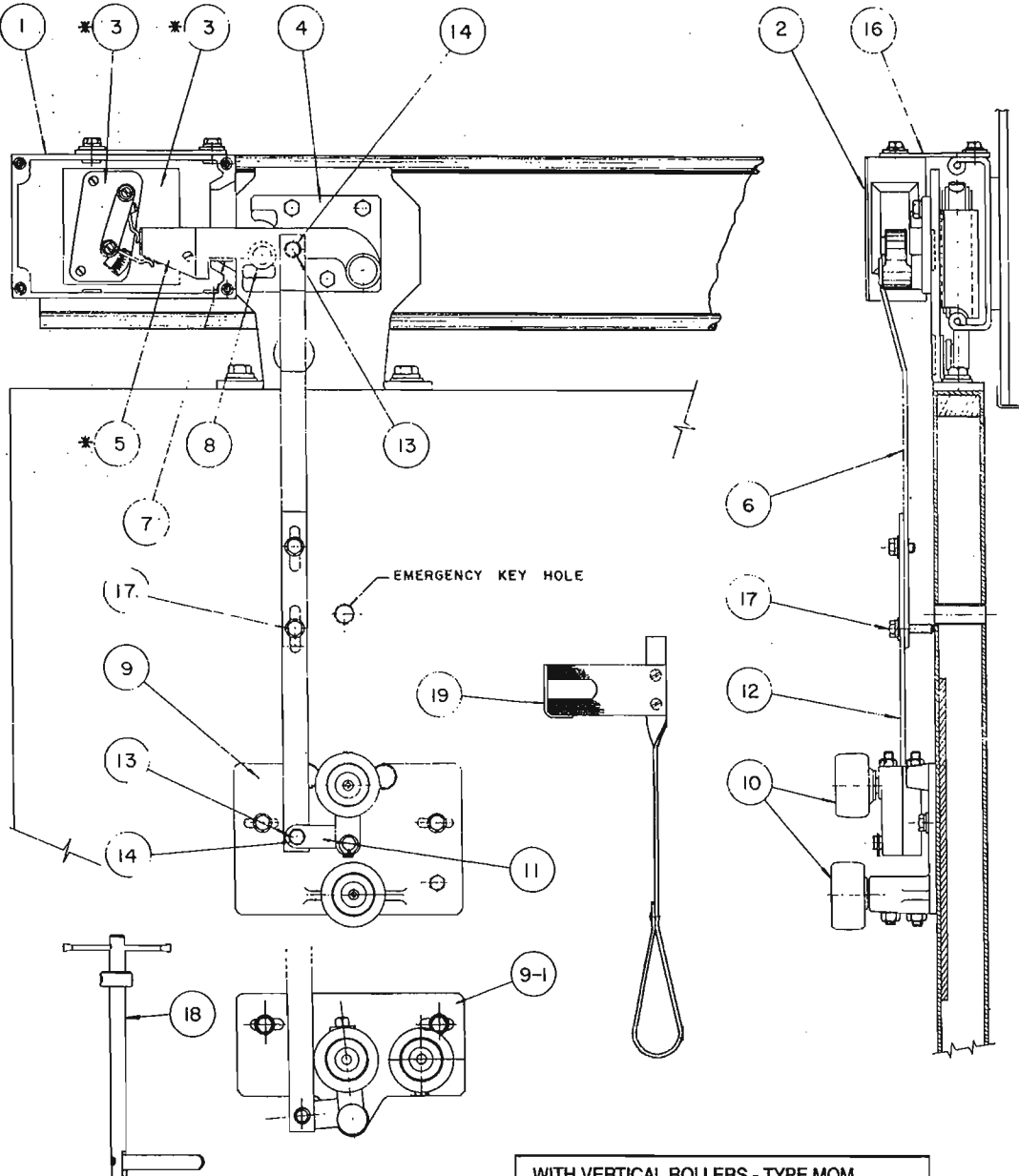
50 East 153rd Street,
Bronx, N.Y. 10451

Phone 718-292-9000
Toll Free 877-425-3538
877-425-7763

Fax 718-292-2034
Web www.gal.com
E-mail info@gal.com

INTERLOCKS

MODEL	ITEM	PART DWG. No.
MOM and MOH	INTERLOCK	INT-1
MOCP and MOCPH	INTERLOCK	INT-2
MOX and MOXH	INTERLOCK	INT-3 and INT-3A
N, M and SM	KEEPERS	INT-4
M	INTERLOCK	INT-5
M-HA	INTERLOCK	INT-5A
SM	LOCK and CONTACT	INT-6
DM	INTERLOCK	INT-7
SDM	LOCK and CONTACT	INT-8
HD	INTERLOCK	INT-9
W	INTERLOCK	INT-10
VR	INTERLOCK	INT-13
K-5	INTERLOCK WITH OPERATING BARS	INT-14
K-5	INTERLOCK WITH CHAIN BOLT AND OPERATING BAR	INT-15
K-1 and K	INTERLOCK	INT-16
WP and WX	INTERLOCK	INT-18
N	INTERLOCK	INT-22



RIGHT HAND INSTALLATION SHOWN
LEFT HAND SYMMETRICALLY OPPOSITE

MOM INTERLOCK (PARTS LIST)

PART NO.	DESCRIPTION	
INT-1-1	MO SWITCH (INCLUDES PARTS 2 AND 3)	
INT-1-2	COVER & SCREWS	
* INT-1-3	MO CONTACT BASE & INSULATOR	
INT-1-4	MO KEEPER (INCLUDES PARTS 5 TO 8)	
* INT-1-5	MO KEEPER BRIDGING BLOCK	
INT-1-6	MO UPPER LINK (INCLUDES PARTS 13 AND 14)	
INT-1-7	KEEPER STEM BUMPER	
INT-1-8	KEEPER BUMPER	
INT-1-9	MOM RELEASE (INCLUDES PARTS 10 TO 12)	
INT-1-10	MOM ROLLER & SHAFT (2 REQ'D)	
INT-1-11	MOM RELEASE ROCKER	
INT-1-12	MO LOWER LINK (INCLUDES PARTS 13 AND 14)	
INT-1-13	MO LINK SNAP PIN	
INT-1-14	MO LINK NYLINER BUSHING ** 4L-2FF	
* INT-1-15	MOKT CONTACT KIT (INCLUDES PARTS 3 AND 5)	
INT-1-16	MO LOCK MOUNTING PLATE	
INT-1-17	EMERGENCY RELEASE BOLT	
INT-1-18	KMO KEY	
INT-1-9-1	MOH RELEASE (INCLUDES PARTS 10 TO 12)	
INT-1-19	MO JUMPER	

* SOLD AS CONTACT KIT ONLY PART NO. 15

WHEN ORDERING PARTS, GIVE PART NUMBER,
DESCRIPTION, HAND OF INSTALLATION AND THIS DWG. NO.

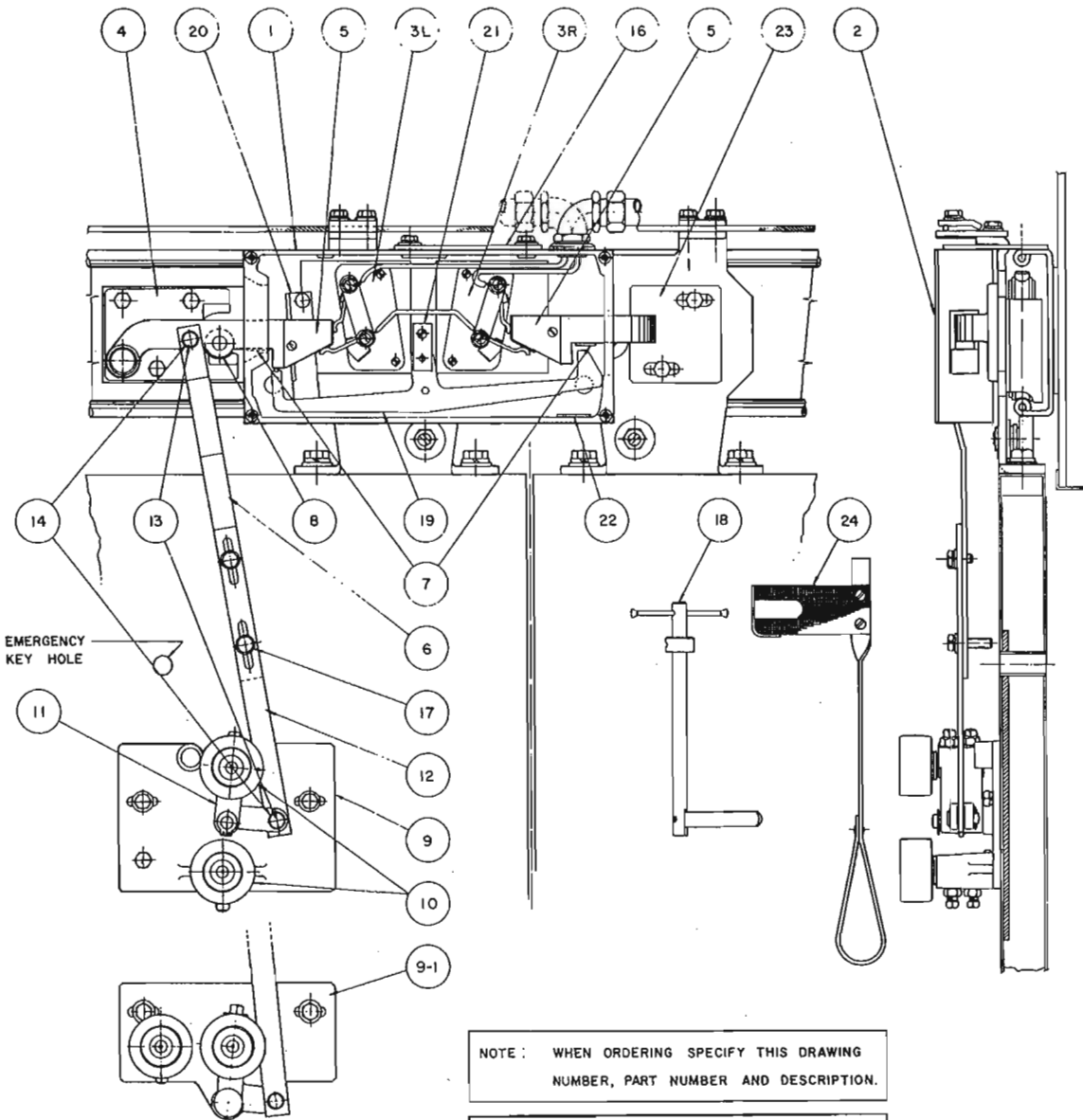
WITH VERTICAL ROLLERS - TYPE MOM
WITH HORIZONTAL ROLLERS - TYPE MOH

GAL G. A. L. MANUFACTURING CORP.
10 EAST 134th STREET BRONX, N. Y. 10461

MOM/MOH INTERLOCK

NO.	REVISION	DATE	CHK.	CHK. BY	DATE	DATE	SCALE	DATE
						7-17-73	1/2	
E	MIN. SALES	5-7-76						
D	REORDERING	5-7-76						
C	SEE ECH 228	7-17-73						

INT-1 E



G. A. L. STANDARD INSTALLATION SHOWN.

**MOCP INTERLOCK
(PARTS LIST)**

PART NO.	DESCRIPTION
INT-2-1	MOCP SWITCH (INCLUDES PARTS 2,3L,3R,19,20,21, & 22)
INT-2-2	COVER & SCREWS WITH INSULATOR
* INT-2-3L	MO CONTACT BASE & INSULATOR (L. HAND)
* INT-2-3R	MO CONTACT BASE & INSULATOR (R. HAND)
* INT-2-4	MO KEEPER (INCLUDES PARTS 5 TO 8)
INT-2-5	MO KEEPER BRIDGING BLOCK
INT-2-6	MO UPPER LINK (INCLUDES PARTS 13 AND 14)
INT-2-7	KEEPER STEM BUMPER
INT-2-8	KEEPER BUMPER
INT-2-9	MOM RELEASE (INCLUDES PARTS 10 TO 12)
INT-2-10	MOM ROLLER & SHAFT (2 REQ'D)
INT-2-11	MOM RELEASE ROCKER
INT-2-12	MOM LOWER LINK (INCLUDES PARTS 13 AND 14)
INT-2-13	MOM LINK SNAP PIN
INT-2-14	MOM LINK NYLINER BUSHING (# 4L-2FF)
* INT-2-15	MOCPKT CONTACT KIT (INCLUDES 3L or 3R & 5)
INT-2-16	MO LOCK MOUNTING PLATE
INT-2-17	EMERGENCY RELEASE BOLT
INT-2-18	KMO KEY
INT-2-19	MOCP ROCKER ARM ASS'Y (INCLUDES PART 20)
INT-2-20	MOCP ROCKER ARM LIFT UP CAM
INT-2-21	MOCP ROCKER ARM SUPPORT PLATE
INT-2-22	SELF-ADHESIVE CORK PAD
INT-2-23	MOCP STATIONARY KEEPER ASS'Y
INT-2-9-1	MOH RELEASE (INCLUDES PARTS 10 TO 12)
INT-2-24	MO JUMPER

* SOLD AS CONTACT KIT ONLY PART NO. 15.
(ADVISE HAND REQUIRED)

NOTE: WHEN ORDERING SPECIFY THIS DRAWING
NUMBER, PART NUMBER AND DESCRIPTION.

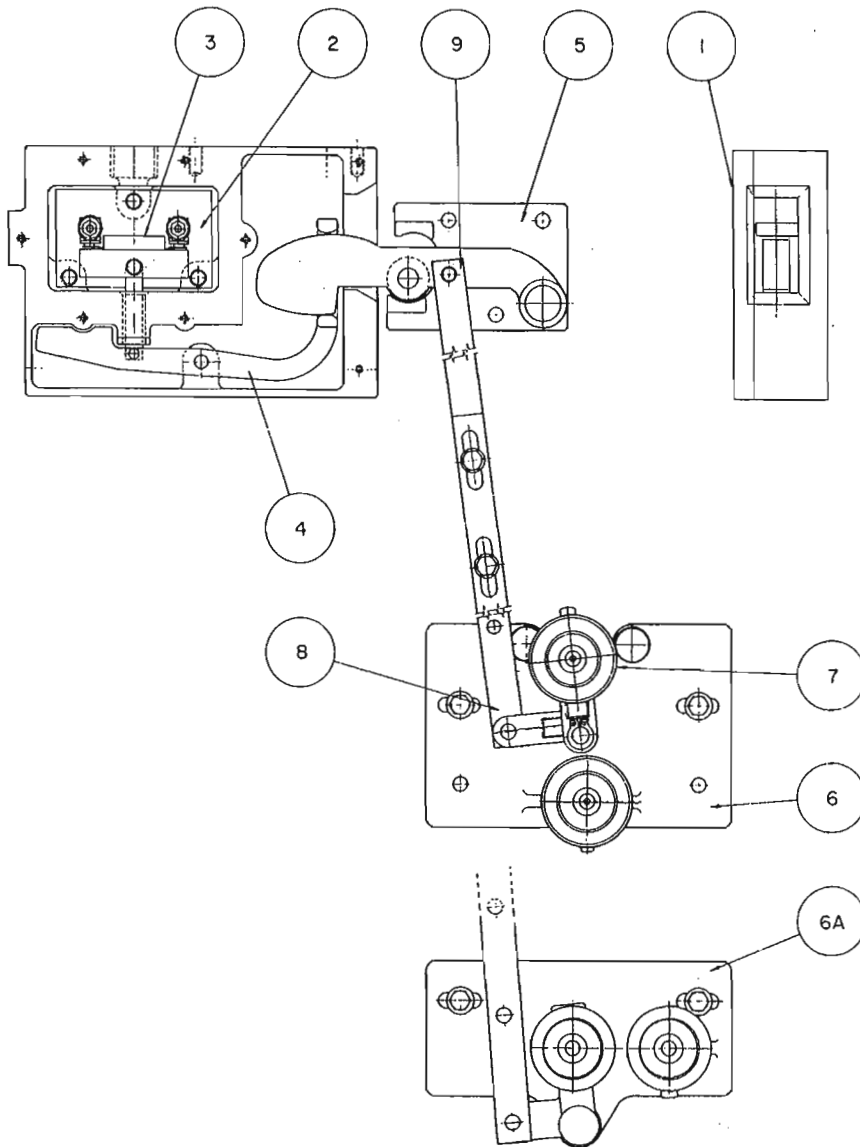
WITH VERTICAL ROLLERS - MOCP
WITH HORIZONTAL ROLLERS - MOCPH



MOCP/MOCPH INTERLOCK

SCALE 1/2		DATE 11-22-1978	
A	MIN. SALES	7-78	DWG. BY S. C. H.
NO.	REVISION	DATE	CHK. BY G. F. D.

INT - 2 A



MO-X INTERLOCK (PARTS LIST)

PART NO	DESCRIPTION	
INT-3A-1	BOX AND COVER	
INT-3A-2	CONTACT BASE AND INSULATOR	
INT-3A-3	BRIDGING BLOCK ASSY WITH GUIDE PIN	
INT-3A-4	ROCKER ARM	
INT-3A-5	KEEPER AND BASE ASSY	
INT-3A-6	MOM ROLLER RELEASE AND BASE ASSY	
INT-3A-6A	MOH ROLLER RELEASE AND BASE ASSY	
INT-3A-7	MO ROLLER AND SHAFT (2)	
INT-3A-8	LOWER LINK WITH SNAP PIN	
INT-3A-9	UPPER LINK WITH SNAP PIN	

RIGHT HAND SHOWN
LEFT HAND OPPOSITE AS SHOWN

NOTE : WHEN ORDERING PARTS, GIVE THIS DRAWING NUMBER, PART NO, DESCRIPTION, HAND OF INSTALLATION.

WITH VERTICAL ROLLERS - MOX
WITH HORIZONTAL ROLLERS - MOXH

FOR USE IN HAZARDOUS
LOCATIONS.
CLASS I GROUP D



MOX/MOXH INTERLOCK

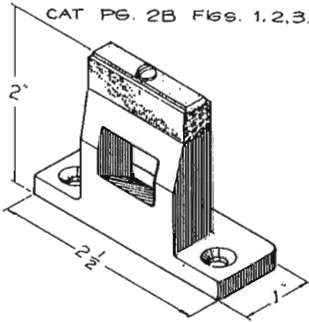
NO	REVISION	DATE	CHK	SCALE	DATE	2	5	76
				DWG. BY				
				CHK BY				
INT - 3A								

SWING DOOR KEEPERS

M-14-2

SURFACE MTD.
INTERLOCK

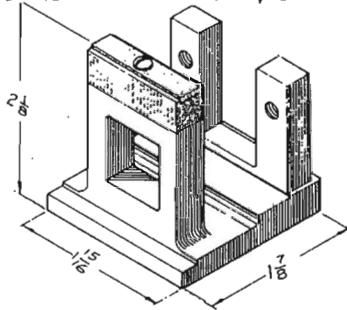
DWG. M-20 FIGURE 3.
CAT. PG. 2B FIGS. 1,2,3.



M-14-20

CONCEALED MTD.
INTERLOCK

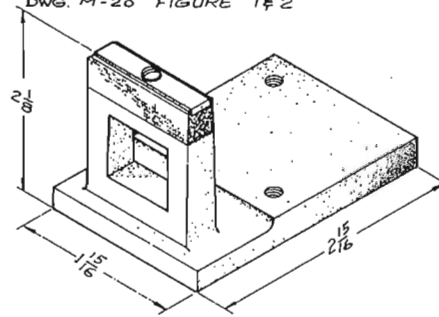
DWG. M-20 FIGURE 1 & 2
DWG. SM-20 FIGURE 1 & 2



M-14-K

CONCEALED MTD.
INTERLOCK
KALAMEIN DOOR

DWG. M-20 FIGURE 1 & 2



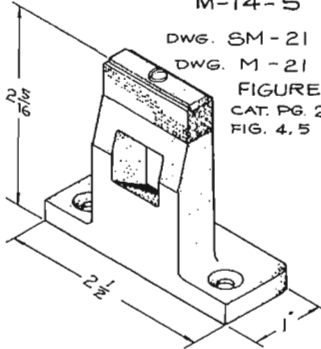
SLIDING DOOR KEEPERS

M-14-5

DWG. SM-21

DWG. M-21

FIGURE 1.
CAT. PG. 2B
FIG. 4, 5

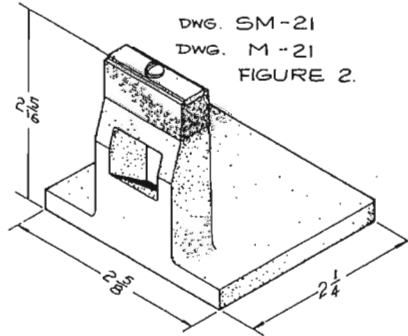


M-14-21-2

DWG. SM-21

DWG. M-21

FIGURE 2.

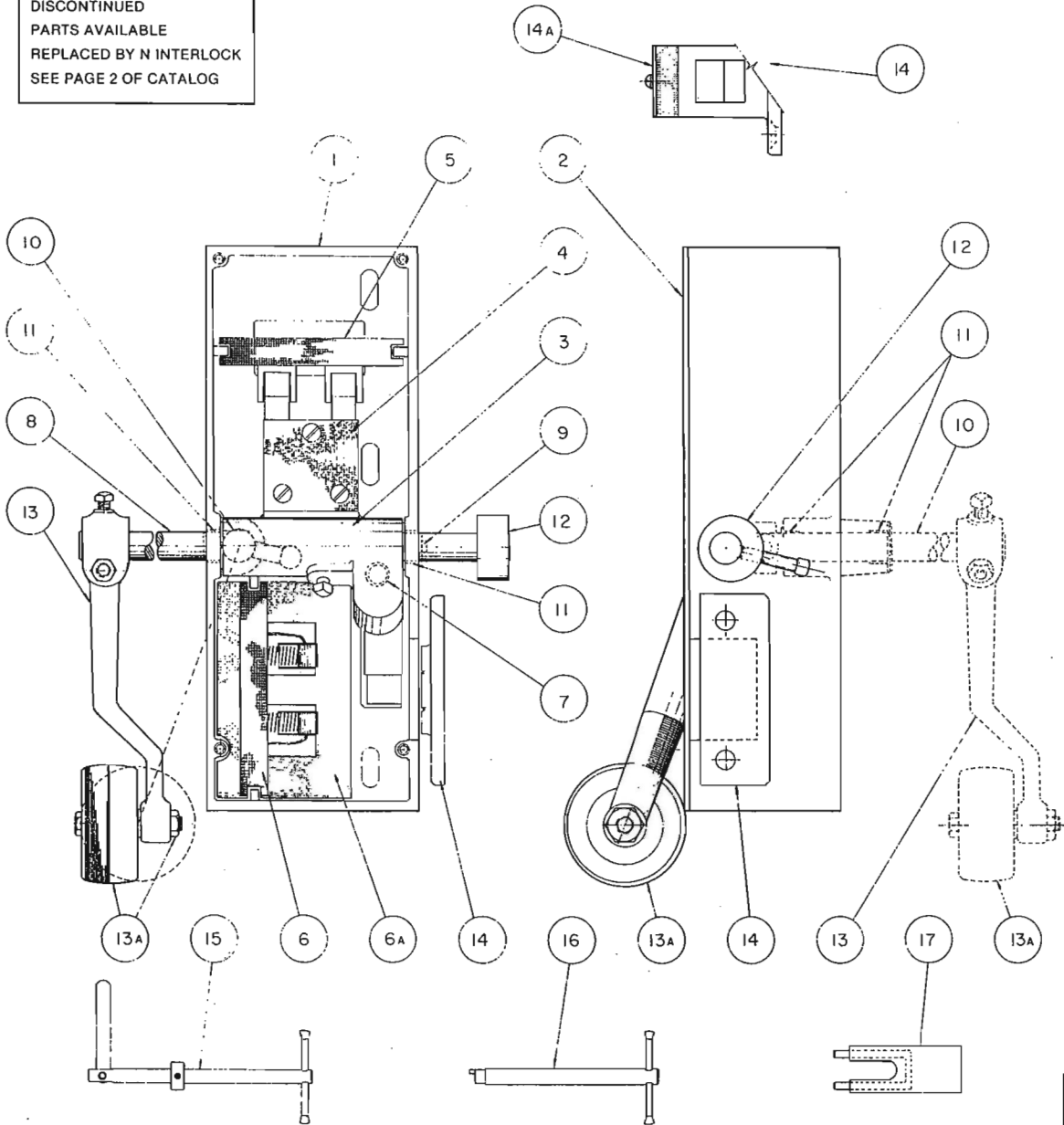


GAL ELEVATOR DIV.
G. A. L. MANUFACTURING CORP.
50 EAST 153rd STREET BRONX, N. Y. 10451

TYPE N/M/SM KEEPERS
(5 STANDARD TYPES)

					SCALE	DATE 11-26-1974
					DWG. BY S C H	INT-4
					CH'K. BY G F D	
NO.	REVISION	DATE	CHK.			

DISCONTINUED
PARTS AVAILABLE
REPLACED BY N INTERLOCK
SEE PAGE 2 OF CATALOG



FOR MOUNTING ARRANGEMENTS

SEE CATALOG PG 1A DWG M-20
PG 1B DWG M-21
PG 2B

M INTERLOCK
(PARTS LIST)

PART NO.	DESCRIPTION	
INT-5-1	SWITCH ASSEMBLY	
INT-5-2	COVER & SCREWS WITH INSULATOR	
INT-5-3	LOCKING CAM	
INT-5-4	UPPER BRIDGING BLOCK	
INT-5-5	UPPER CONTACT BASE	
INT-5-6	LOWER CONTACT BASE	
INT-5-6A	INSULATOR	
INT-5-7	LOCKING CAM SPRING	
INT-5-8	LOCKING CAM SHAFT (SLIDE DOOR)	
INT-5-9	LOCKING CAM SHAFT (SWING DOOR)	
INT-5-10	BALL PIN SHAFT (SWING DOOR)	
INT-5-11	NYLINER BUSHING (SLIDE DOOR 2 REQ'D) (SWING DOOR 4 REQ'D)	
INT-5-12	EMERGENCY KEY CLAMP (SLIDE DOOR)	
INT-5-13	ROLLER ARM ASSY	
INT-5-13A	ROLLER & BOLT	
INT-5-14	KEEPER ASSY (FOR KEEPER ARRANGEMENT, SEE DWG INT-4)	
INT-5-14A	KEEPER BRIDGING BLOCK	
INT-5-15	KMO KEY (SLIDE DOOR)	
INT-5-16	M KEY (SWING DOOR)	
INT-5-17	M JUMPER	

NOTE: WHEN ORDERING SPECIFY THIS DRAWING NUMBER,
PART NUMBER, DESCRIPTION AND HAND.

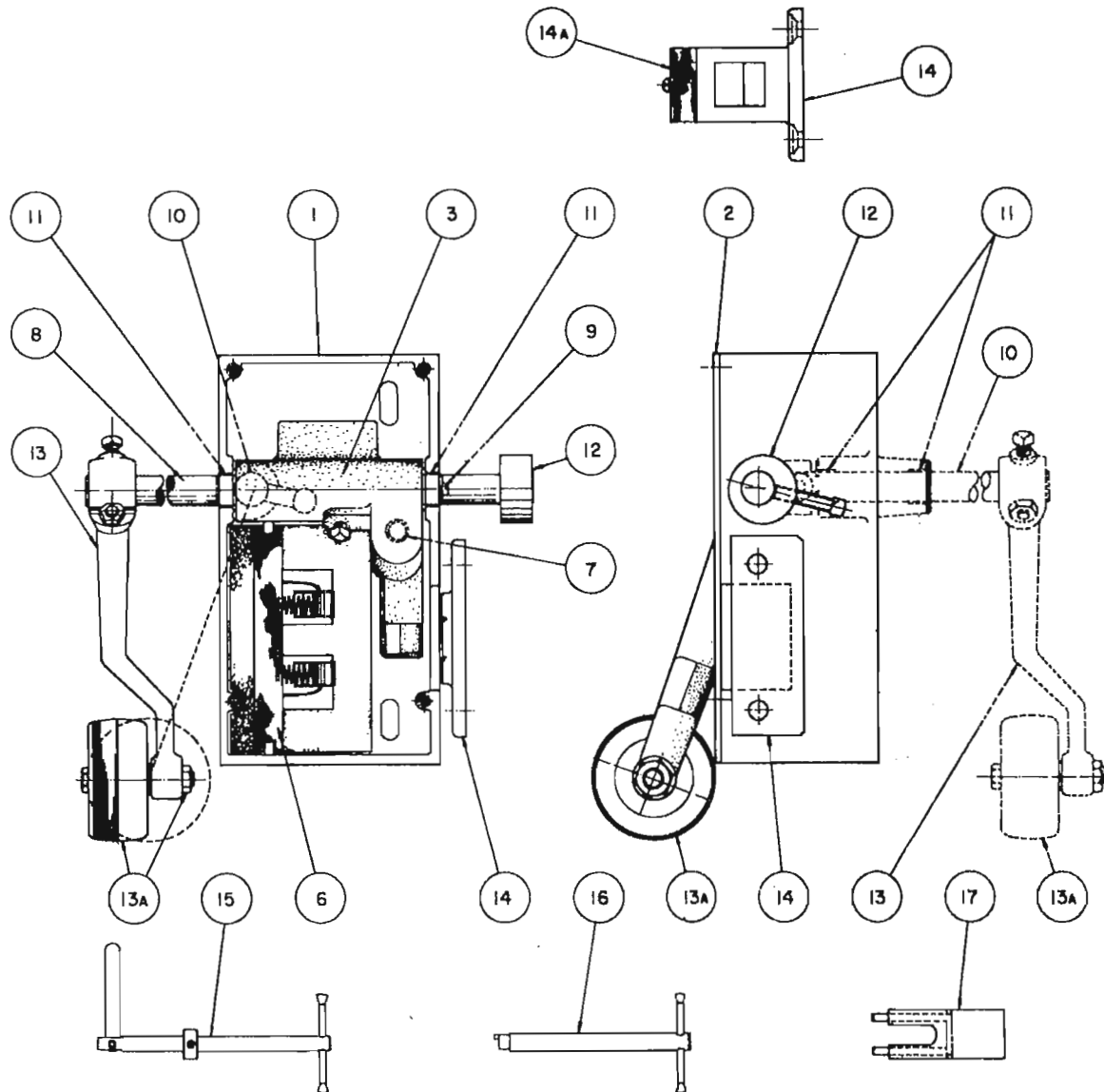
RH SHOWN
LH OPPOSITE AS SHOWN

D. A. L. MANUFACTURING CORP.
30 EAST 153RD STREET
BRONX, N. Y. 10461

M INTERLOCK
(PARTS LIST)

SCALE		DATE 12 - 2 - 1974	
1	MIN. SALES	7-78	DWG BY S C H
NO	REVISION	DATE	CHK BY G F D

INT - 5

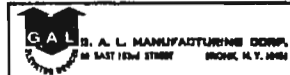


**SM LOCK & CONTACT
(PARTS LIST)**

PART NO	DESCRIPTION	
INT-6-1	SWITCH BOX	
INT-6-2	COVER & SCREWS WITH INSULATOR	
INT-6-3	LOCKING CAM	
INT-6-4	CONTACT BASE WITH INSULATOR	
INT-6-7	LOCKING CAM SPRING	
INT-6-8	LOCKING CAM SHAFT (SLIDE DOOR)	
INT-6-9	LOCKING CAM SHAFT (SWING DOOR)	
INT-6-10	BALL PIN SHAFT (SWING DOOR)	
INT-6-11	NYLINER BUSHING (SLIDE DOOR 2 REQ'D) (SWING DOOR 4 REQ'D)	
INT-6-12	EMERGENCY KEY CLAMP (SLIDE DOOR)	
INT-6-13	ROLLER ARM ASS'Y	
INT-6-13A	ROLLER & BOLT	
INT-6-14	KEEPER ASS'Y (FOR KEEPER ARRANGEMENT, SEE DRAW. INT-4)	
INT-6-14A	KEEPER BRIDGING BLOCK	
INT-6-15	M KNO KEY (SLIDE DOOR)	
INT-6-16	M KEY (SWING DOOR)	
INT-6-17	M JUMPER	

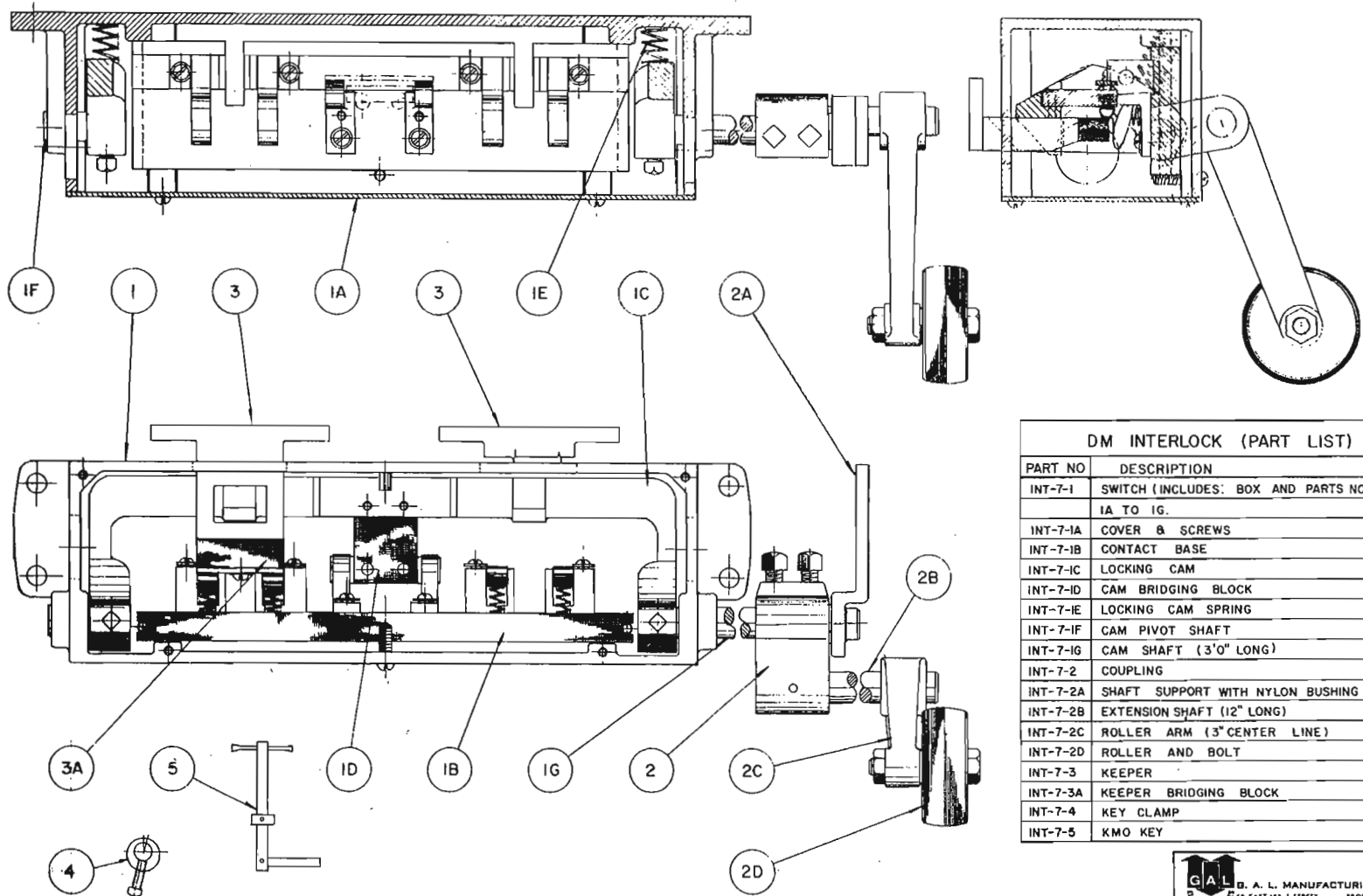
NOTE: WHEN ORDERING SPECIFY THIS DWG. NUMBER,
PART NUMBER, DESCRIPTION AND HAND.

RH SHOWN
LH OPPOSITE AS SHOWN



**SM LOCK & CONTACT
(PARTS LIST)**

NO.		REV	DATE	DWG. BY	DATE	DWG. BY	SCALE	DATE
1				M.H. BALL	7-76	B. C. K.		12-8-1976
								INT-6



DM INTERLOCK (PART LIST)

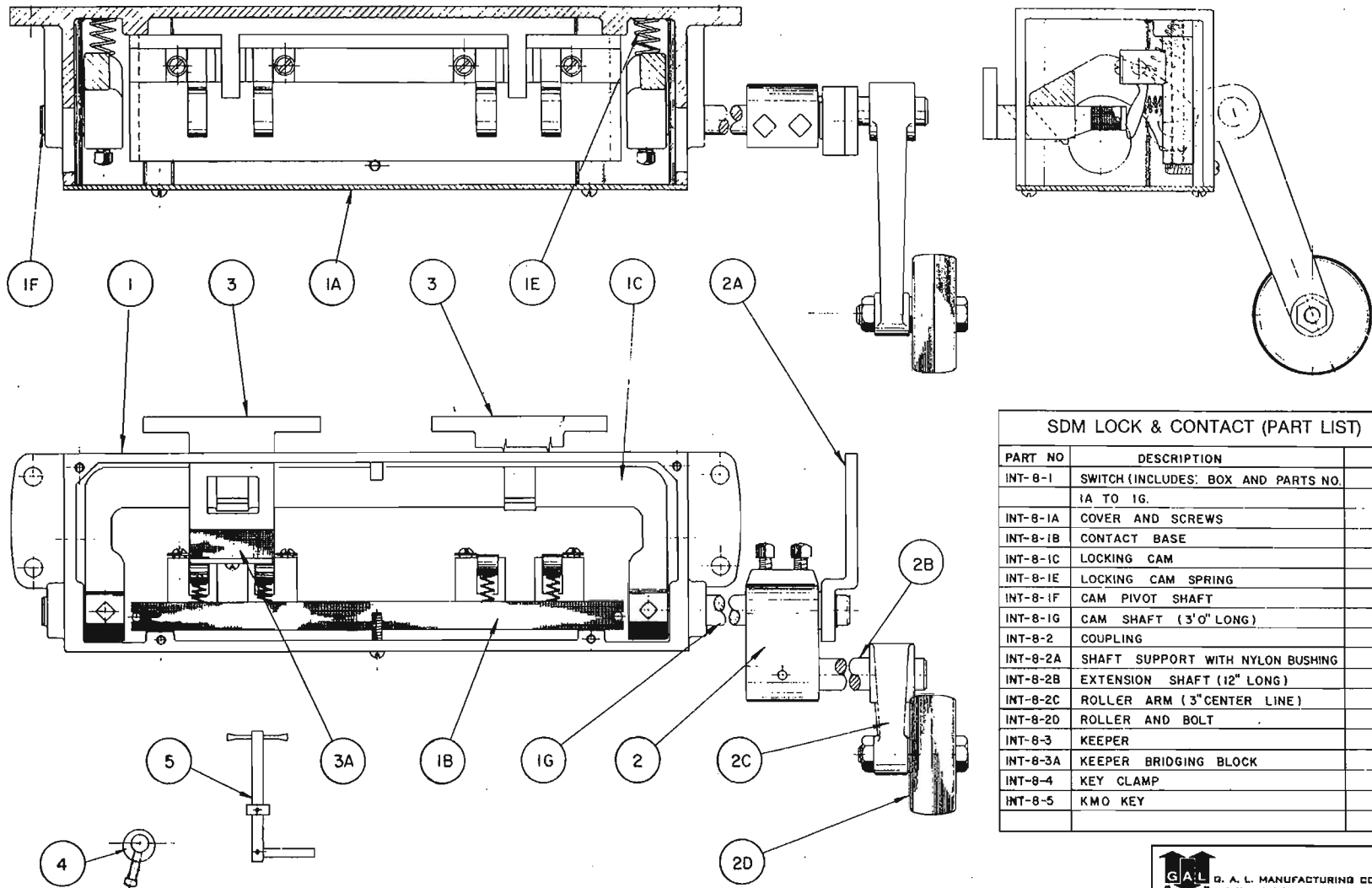
PART NO	DESCRIPTION
INT-7-1	SWITCH (INCLUDES: BOX AND PARTS NO 1A TO 1G.
INT-7-1A	COVER & SCREWS
INT-7-1B	CONTACT BASE
INT-7-1C	LOCKING CAM
INT-7-1D	CAM BRIDGING BLOCK
INT-7-1E	LOCKING CAM SPRING
INT-7-1F	CAM PIVOT SHAFT
INT-7-1G	CAM SHAFT (3'0" LONG)
INT-7-2	COUPLING
INT-7-2A	SHAFT SUPPORT WITH NYLON BUSHING
INT-7-2B	EXTENSION SHAFT (12" LONG)
INT-7-2C	ROLLER ARM (3" CENTER LINE)
INT-7-2D	ROLLER AND BOLT
INT-7-3	KEEPER
INT-7-3A	KEEPER BRIDGING BLOCK
INT-7-4	KEY CLAMP
INT-7-5	KMO KEY

GAL B. A. L. MANUFACTURING CORP.
 50 EAST 153RD STREET BRONX, N. Y. 10451

NOTE: WHEN ORDERING SPECIFY THIS DRAWING NUMBER, PART NUMBER, DESCRIPTION.

DM INTERLOCK (PART LIST)

SCALE FULL		DATE JAN 3, 74	
I	MIN. SALES	7-78	OWG BY S C H
NO.	REVISION	DATE	CHK BY G K D
			INT-7



SDM LOCK & CONTACT (PART LIST)

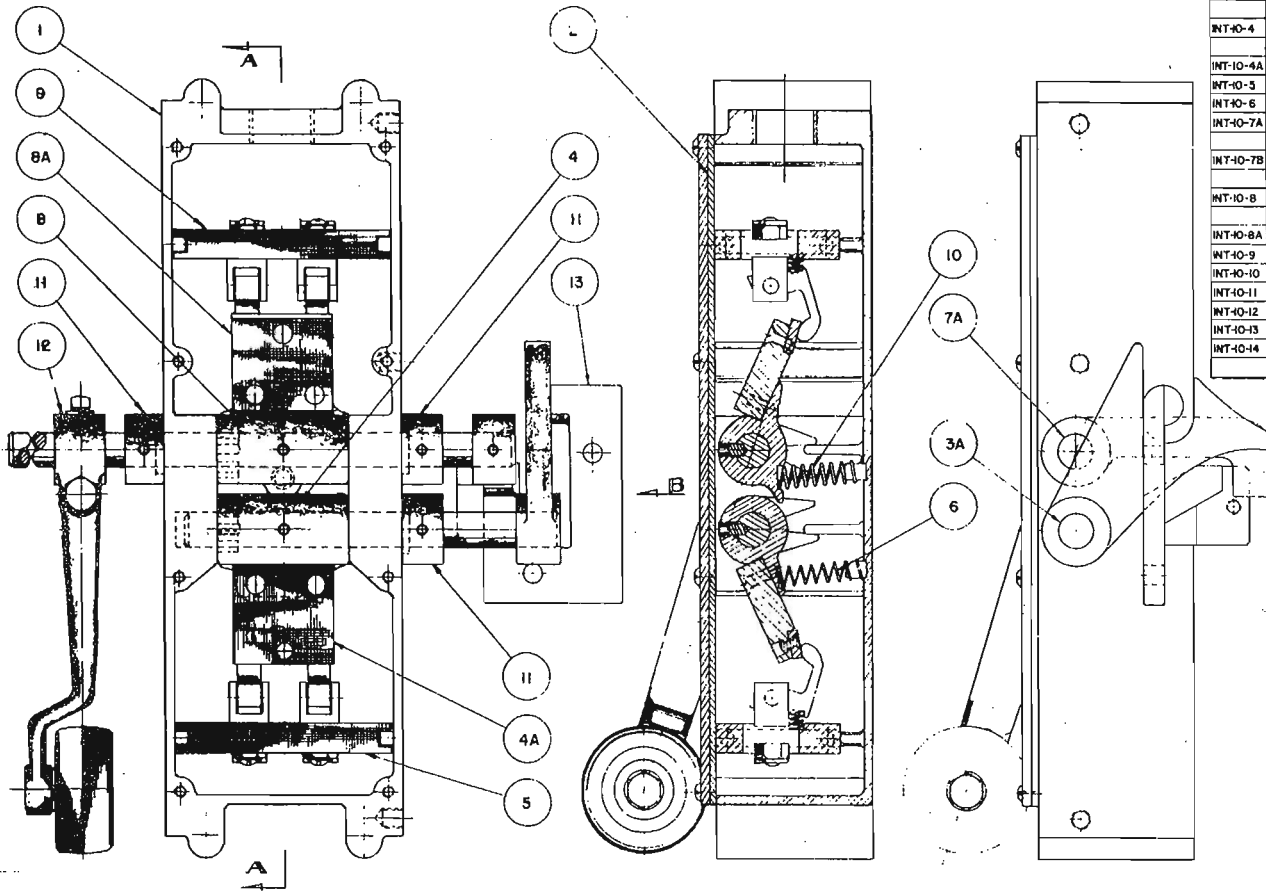
PART NO	DESCRIPTION	
INT-8-1	SWITCH (INCLUDES: BOX AND PARTS NO. 1A TO 1G.	
INT-8-1A	COVER AND SCREWS	
INT-8-1B	CONTACT BASE	
INT-8-1C	LOCKING CAM	
INT-8-1E	LOCKING CAM SPRING	
INT-8-1F	CAM PIVOT SHAFT	
INT-8-1G	CAM SHAFT (3'0" LONG)	
INT-8-2	COUPLING	
INT-8-2A	SHAFT SUPPORT WITH NYLON BUSHING	
INT-8-2B	EXTENSION SHAFT (12" LONG)	
INT-8-2C	ROLLER ARM (3" CENTER LINE)	
INT-8-2D	ROLLER AND BOLT	
INT-8-3	KEEPER	
INT-8-3A	KEEPER BRIDGING BLOCK	
INT-8-4	KEY CLAMP	
INT-8-5	KMO KEY	

GAL G. A. L. MANUFACTURING CORP.
 100 EAST 153rd STREET BRONX, N. Y. 10461

NOTE : WHEN ORDERING SPECIFY THIS DRAWING NUMBER, PART NUMBER, DESCRIPTION.

SDM LOCK & CONTACT (PART LIST)		SCALE	FULL	DATE	JAN 8, 74
1	MIN. SALES	7-78			
NO.	REVISION	DATE	CHK BY	G. A. L.	

DISCONTINUED
PARTS AVAILABLE
SEE NEW DWG INT-18

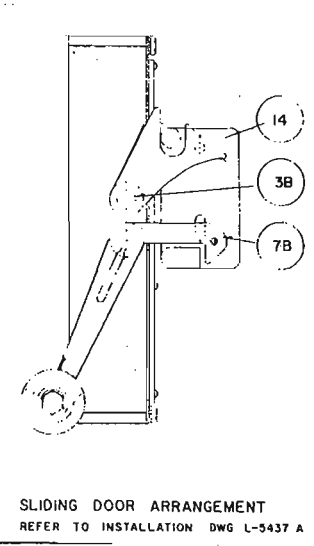


SECTION A-A

VIEW B

W INTERLOCK (PART LIST)

PART NO	DESCRIPTION
INT-10-1	SWITCH ASSY
INT-10-2	COVER, GASKET AND SCREWS
INT-10-3A	KEEPER ACTUATING FORKED CAM WITH SHAFT (SWING DOOR)
INT-10-3B	KEEPER ACTUATING FORKED CAM WITH SHAFT (SLIDE DOOR)
INT-10-4	KEEPER CONTACT CAM ASSY (INCLUDES W-4A)
INT-10-4A	KEEPER BRIDGING BLOCK
INT-10-5	KEEPER CONTACT BASE ASSY
INT-10-6	KEEPER CONTACT CAM SPRING
INT-10-7A	RETIRING CAM LATCH WITH SHAFT (SWING DOOR)
INT-10-7B	RETIRING CAM LATCH WITH SHAFT (SLIDE DOOR)
INT-10-8	RETIRING CAM CONTACT CAM ASSY (INCLUDES W-B A)
INT-10-8A	RETIRING CAM BRIDGING BLOCK
INT-10-9	RETIRING CAM CONTACT BASE ASSY
INT-10-10	RETIRING CAM CONTACT CAM SPRING
INT-10-11	COLLAR WITH SEAL
INT-10-12	"W" ROLLER ARM ASSY
INT-10-13	SWING DOOR KEEPER (LH. or RH.)
INT-10-14	SLIDE DOOR KEEPER (LH. or RH.)



SLIDING DOOR ARRANGEMENT
REFER TO INSTALLATION DWG L-5437 A

SWING DOOR ARRANGEMENT
REFER TO INSTALLATION DWG L-6320 A

NOTE: WHEN ORDERING PARTS, GIVE THIS DRAWING NUMBER, PART NO, AND DESCRIPTION, HAND OF INSTALLATION AND WHETHER SLIDING OR SWING DOOR ARRANGEMENT

RIGHT HAND SHOWN
LEFT HAND OPPOSITE AS SHOWN

I		7-78		DATE		CHK BY		DATE		DATE	
NO	REVISION	DATE	CHK BY	DATE	DATE	DATE	DATE	DATE	DATE	DATE	DATE

TYPE W INTERLOCK

SCALE FULL DATE DEC. 3, 1973

INT-10

OBSOLETE
REPLACED BY INT. - 18

APPROVED

U.L. FILE # SA -595

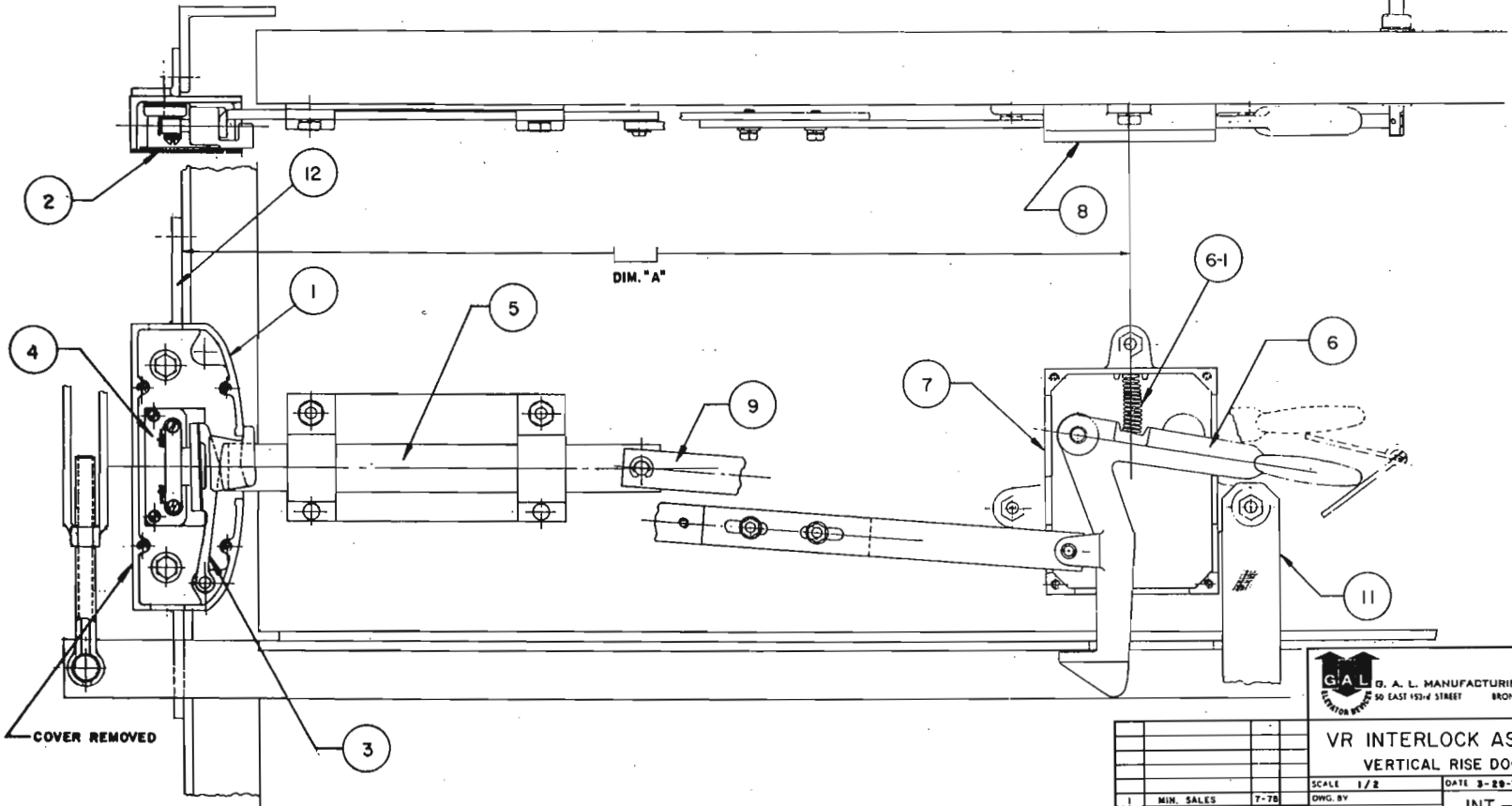
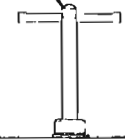
N.Y.C. B.S.A # 273-73-SM

RIGHT HAND SHOWN
LEFT HAND OPPOSITE

NOTE: WHEN ORDERING PARTS,
SPECIFY HAND, OPENING
WIDTH AND HEIGHT AND
DIMENSION "A".

PART NO.	DESCRIPTION
INT-13-1	SWITCH ASS'Y INCLUDES: VR2-VR3-VR4
INT-13-2	COVER ASS'Y
INT-13-3	BRIDGING CAM ASS'Y
INT-13-4	CONTACT KIT (BASE, BRIDGE, & SCREWS)
INT-13-5	LOCKING BOLT & SLIDE ASS'Y
INT-13-6	CENTER LATCH WITH SPRING & LINK SPRING
INT-13-6-1	CENTER LATCH HOUSING
INT-13-7	CENTER LATCH COVER & MTG. SCREWS
INT-13-8	CONNECTING LINK WITH RETAINING RING
INT-13-9	CENTER LATCH ASS'Y (INCLUDES: VR6, VR6-1, VR7, & VR8)
INT-13-11	PULL STRAP (CANVAS)
INT-13-12	MOUNTING ANGLE

KMO EMERGENCY KEY



G.A.L. G. A. L. MANUFACTURING CORP.
30 EAST 152ND STREET BRONX, N. Y. 10451

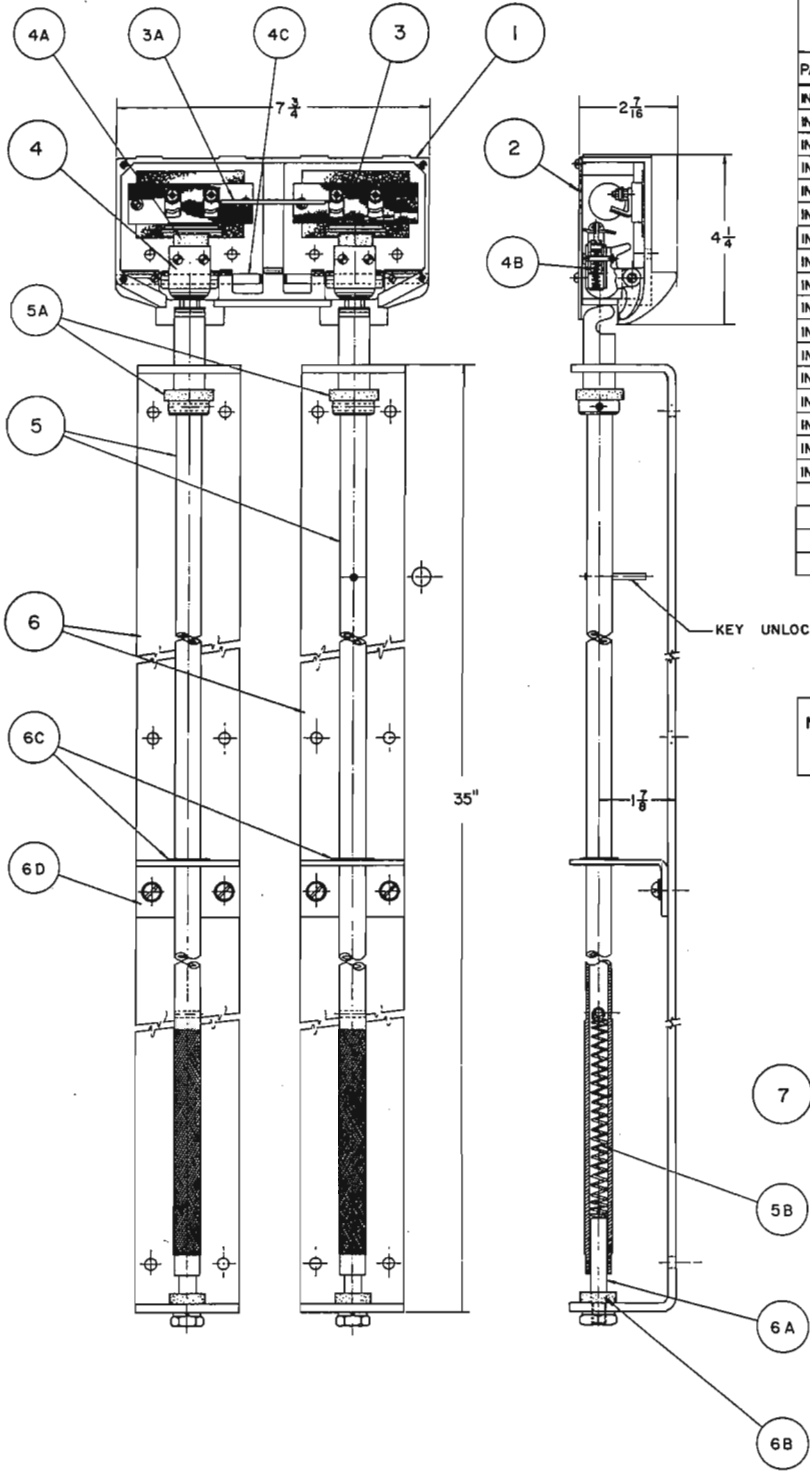
VR INTERLOCK ASS'Y
VERTICAL RISE DOORS

SCALE 1/2		DATE 3-29-73	
1	MIN. SALES	7-78	OWG. BY
NO	REVISION	DATE	CHK. CH'K BY

INT - 13

K-5 INTERLOCK WITH
OPERATING BARS
(PARTS LIST)

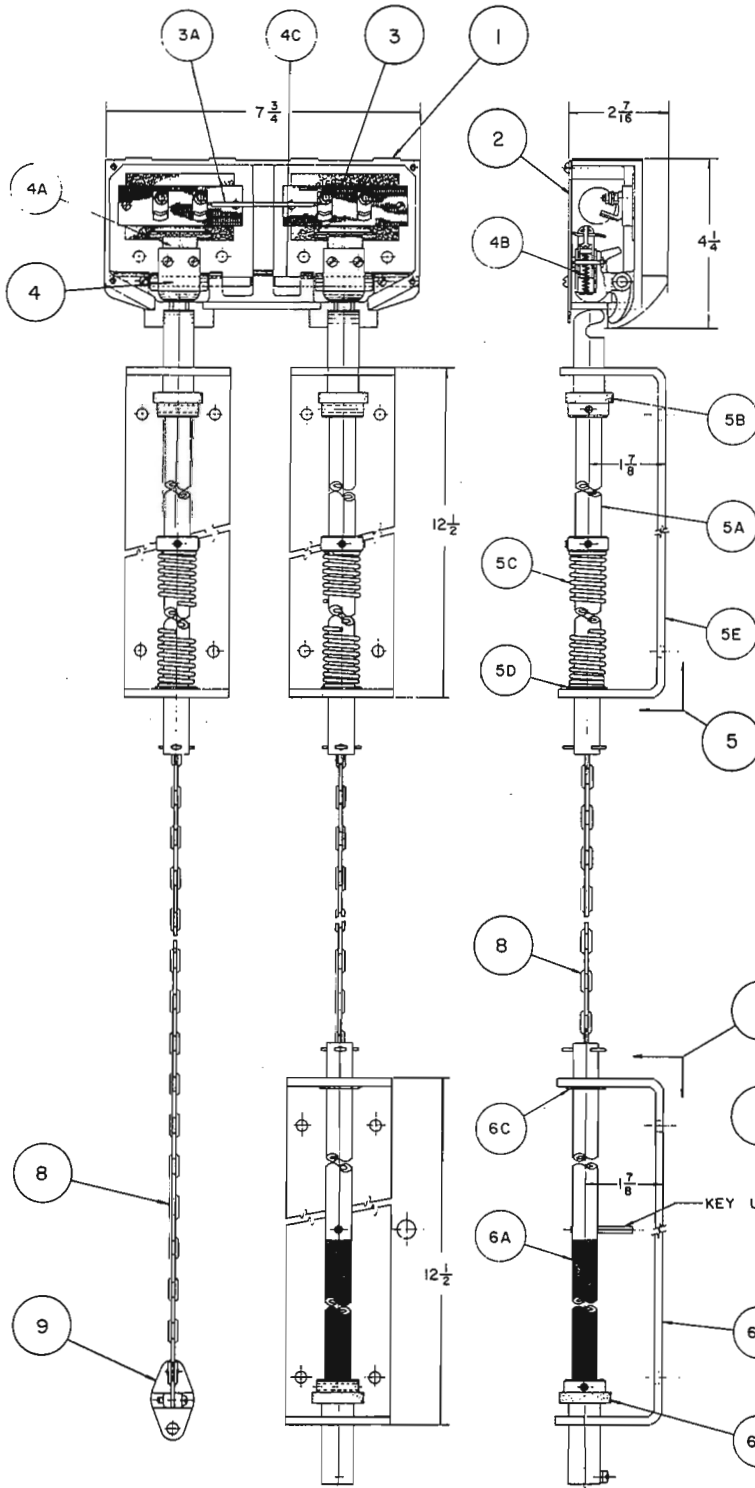
PART NO.	DESCRIPTION
INT-14-1	K-5 SWITCH
INT-14-2	K-5 COVER & SCREWS WITH INSULATOR
INT-14-3	CONTACT BASE WITH INSULATOR
INT-14-3A	JUMPER WIRE
INT-14-4	CONTACT CAM (2)
INT-14-4A	BRIDGING BLOCK
INT-14-4B	BRIDGING BLOCK SPRING
INT-14-4C	HINGE PIN (2)
INT-14-5	K-5 OPERATING BAR
INT-14-5A	UPPER RUBBER BUMPER
INT-14-5B	BAR SPRING
INT-14-6	K-5 BRACKET
INT-14-6A	SPRING GUIDE WITH NUT & LOCK WASHER
INT-14-6B	LOWER RUBBER BUMPER
INT-14-6C	NYLINER BUSHING # 10 L 2 - FF
INT-14-6D	BAR GUIDE SUPPORT BRACKET
INT-14-7	K M O KEY



NOTE : WHEN ORDERING SPECIFY THIS DWG. NO.,
PART NO., AND DESCRIPTION.

GAL G. A. L. MANUFACTURING CORP.
50 EAST 134th STREET BRONX, N. Y. 10461

K-5 INTERLOCK WITH OPERATING BARS (PARTS LIST)				SCALE	DATE
				1/2	1-6-1975
				DWG. BY	S. C. H.
				CHK. BY	G. F. D.
				INT-14	



K-5 INTERLOCK WITH
CHAIN BOLT & OPERATING BAR
(PARTS LIST)

PART NO.	DESCRIPTION
INT-5-1	K-5 SWITCH
INT-5-2	K-5 COVER B SCREWS WITH INSULATOR
INT-5-3	CONTACT BASE WITH INSULATOR
INT-5-3A	JUMPER WIRE
INT-5-4	CONTACT CAM (2)
INT-5-4A	BRIDGING BLOCK
INT-5-4B	BRIDGING BLOCK SPRING
INT-5-4C	HINGE PIN (2)
INT-5-5	CHAIN BOLT
INT-5-5A	CHAIN BOLT BAR
INT-5-5B	UPPER RUBBER BUMPER (SAME AS 6B)
INT-5-5C	SPRING
INT-5-5D	NYLINER BUSHING #10L2-FF (SAME AS 6C)
INT-5-5E	CHAIN BOLT MOUNTING BRACKET (SAME AS 6D)
INT-5-6	OPERATING BAR
INT-5-6A	OPERATING HANDLE
INT-5-6B	LOWER RUBBER BUMPER (SAME AS 5B)
INT-5-6C	NYLINER BUSHING #10L2-FF (SAME AS 5D)
INT-5-6D	OPERATING BAR MOUNTING BRACKET (SAME AS 5E)
INT-5-7	KMO KEY
INT-5-8	CHAIN
INT-5-9	ANCHOR CLAMP

NOTE : WHEN ORDERING SPECIFY THIS DWG. NO.,
PART NO., AND DESCRIPTION.

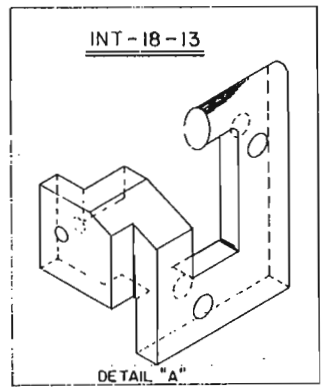
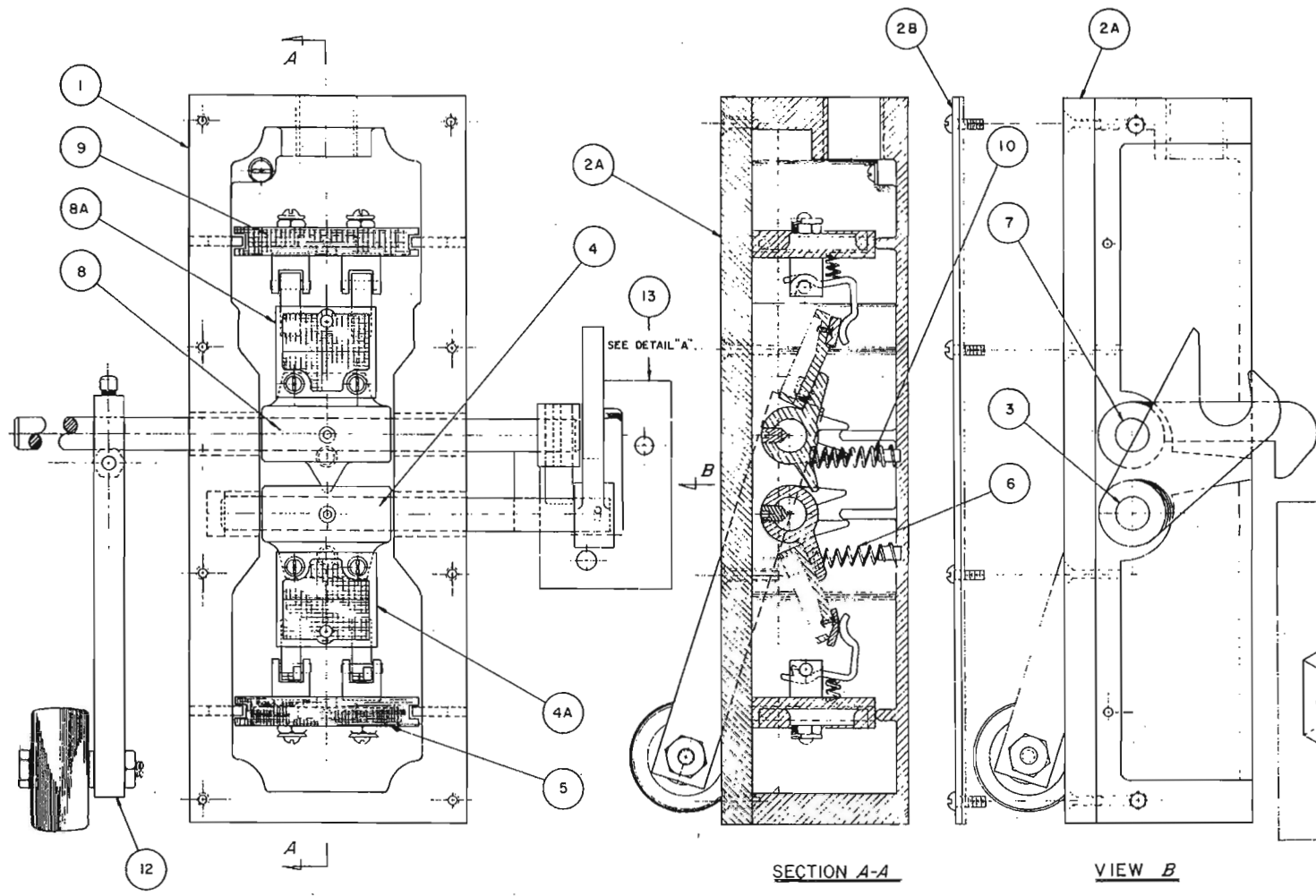


K-5 INTERLOCK WITH
CHAIN BOLT & OPERATING BAR
(PARTS LIST)

SCALE 1/2		DATE 1 - 6 - 1975	
I	MIN. SALES	7-78	DWG. BY S. C. H.
NO.	REVISION	DATE	CHK. BY G. F. O

INT - 15

WX & WP INTERLOCK (PART LIST)	
PART NO.	DESCRIPTION
INT-18-1	SWITCH ASS'Y LH. & RH.
INT-18-2A	WX COVER, AND SCREWS
INT-18-2B	WP COVER, GASKET AND SCREWS
INT-18-3	KEEPER ACTUATING FORKED CAM WITH SHAFT LH. & RH.
INT-18-4	KEEPER CONTACT CAM ASS'Y (INCLUDES INT-18-4A)
INT-18-4A	KEEPER BRIDGING BLOCK (LOWER)
INT-18-5	KEEPER CONTACT BASE ASS'Y
INT-18-6	KEEPER CONTACT CAM SPRING
INT-18-7	RETIRING CAM LATCH W/ SHAFT LH. & RH.
INT-18-8	RETIRING CAM CONTACT CAM ASS'Y. (INCLUDES INT-18-8A)
INT-18-8A	RETIRING CAM BRIDGING BLOCK (UPPER)
INT-18-9	RETIRING CAM CONTACT BASE ASS'Y
INT-18-10	RETIRING CAM CONTACT CAM SPRING
INT-18-12	ROLLER ARM ASS'Y
INT-18-13	SWING DOOR KEEPER (L.H. & R.H.)



SECTION A-A

VIEW B

SWING DOOR ARRANGEMENT ONLY
REFER TO INSTALLATION DWG L-6320 D

NOTE : WHEN ORDERING PARTS, GIVE THIS DRAWING NUMBER, PART NO., AND DESCRIPTION, HAND OF INSTALLATION

RIGHT HAND SHOWN
LEFT HAND OPPOSITE



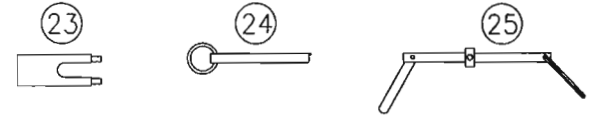
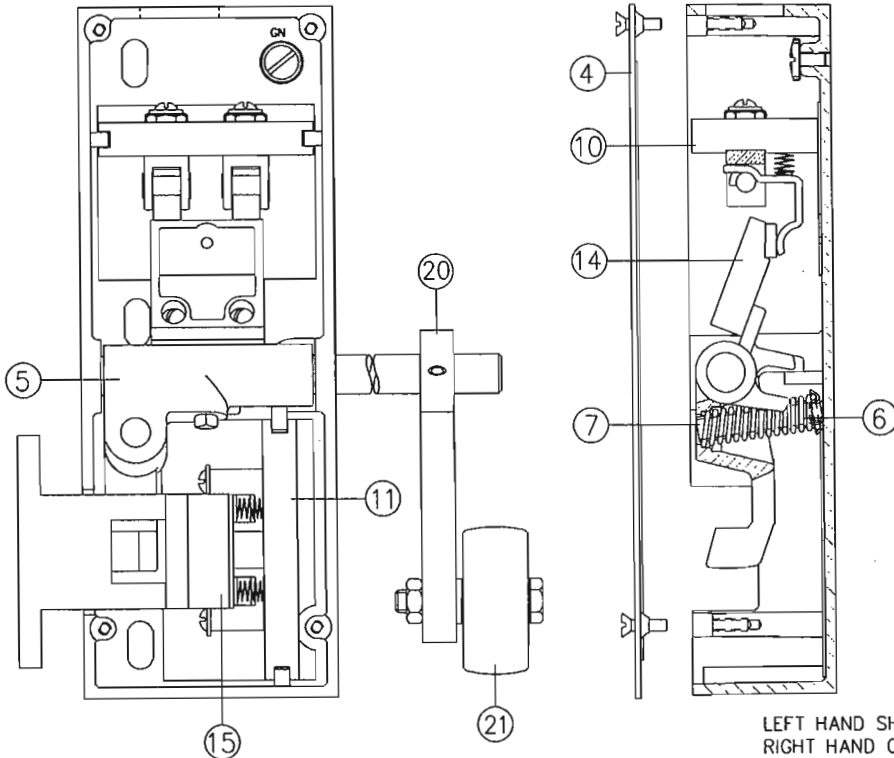
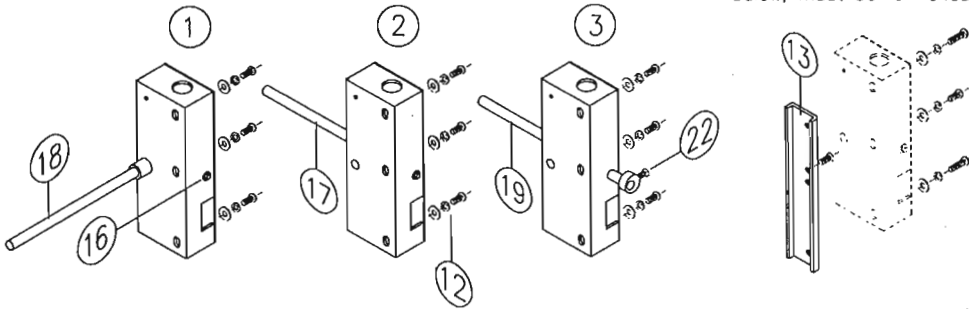
"WP" Interlock (Water-Proof)		SCALE FULL	DATE FEB 11-1985
"WX" Interlock (Explosion-Proof)		OWG. BY M. ACOSTA	
"WX" Interlock (Dust-Proof)			INT-18
NO.	REVISION	DATE	CHK. BY



IMPORTANT: To select proper interlock arrangement refer to drawing INT22-P2 on page 2A.

SWITCH ASSEMBLY

NOTE: When replacing type "M" interlock, adaptor kit as shown below, must be furnished.



PARTS

ITEM	PART No.	DESCRIPTION
①	INT22-0010R INT22-0010L	SWING DOOR LOCK SWITCH ASSY R.H. SWING DOOR LOCK SWITCH ASSY L.H.
②	INT22-0011R INT22-0011L	SWING DOOR LOCK SWITCH ASSY R.H SWING DOOR LOCK SWITCH ASSY L.H
③	INT22-0012R INT22-0012L	SLIDE DOOR LOCK SWITCH ASSY R.H. SLIDE DOOR LOCK SWITCH ASSY L.H
④	INT22-0015N	COVER WITH INSULATOR
⑤	INT22-0016R INT22-0016L	LOCKING CAM R.H (Includes item 14) LOCKING CAM L.H.
⑥	INT22-0017N	LOCKING CAM SPRING
⑦	INT22-0018N	SPRING RETAINER
⑧	INT22-0019N	UPPER CONTACT KIT (Includes items 10 & 14)
⑨	INT22-0020N	LOWER CONTACT KIT (Includes items 11 & 15)
⑩	INT22-0021N	UPPER CONTACT BASE
⑪	INT22-0022N	LOWER CONTACT BASE
⑫	INT22-0024N	MOUNTING HARDWARE
⑬	INT22-0023R INT22-0023L	ADAPTOR KIT TO REPLACE TYPE "M" INTLK. R.H. ADAPTOR KIT TO REPLACE TYPE "M" INTLK. L.H.
⑭	INT5-0018N	UPPER BRIDGING CONTACT
⑮	INT5-0019N	LOWER BRIDGING CONTACT <small>For keeper arrangement refer to drawing INT-4</small>
⑯	INT5-0020N	SWING DOOR LOCK 3" LG. SHAFT
⑰	INT5-0021N	SWING DOOR LOCK 10" SHAFT
⑱	INT5-0022N	SWING DOOR LOCK BALL PIN SHAFT 10" LG.
⑲	INT5-0023N	SLIDE DOOR LOCK 10" SHAFT
⑳	INT5-0025N	ROLLER ARM 4 1/2 CENTER
㉑	INT5-0027N	ROLLER AND BOLT
㉒	INT5-0028N	SLIDE DOOR LOCK EMERG. UNLOCKING CLAMP
㉓	INT5-0029N	JUMPER
㉔	INT5-0030N	SWING DOOR LOCK EMERGENCY KEY
㉕	INT1H-0034N	SLIDE DOOR LOCK EMERGENCY KEY
TYPE "N" INTERLOCK		DOCUMENT No. INT-22 JAN/97
		REV