



G.A.L. Manufacturing Corporation

50 East 153rd Street,
Bronx, N.Y. 10451

Phone 718-292-9000
Toll Free 877-425-3538
877-425-7763

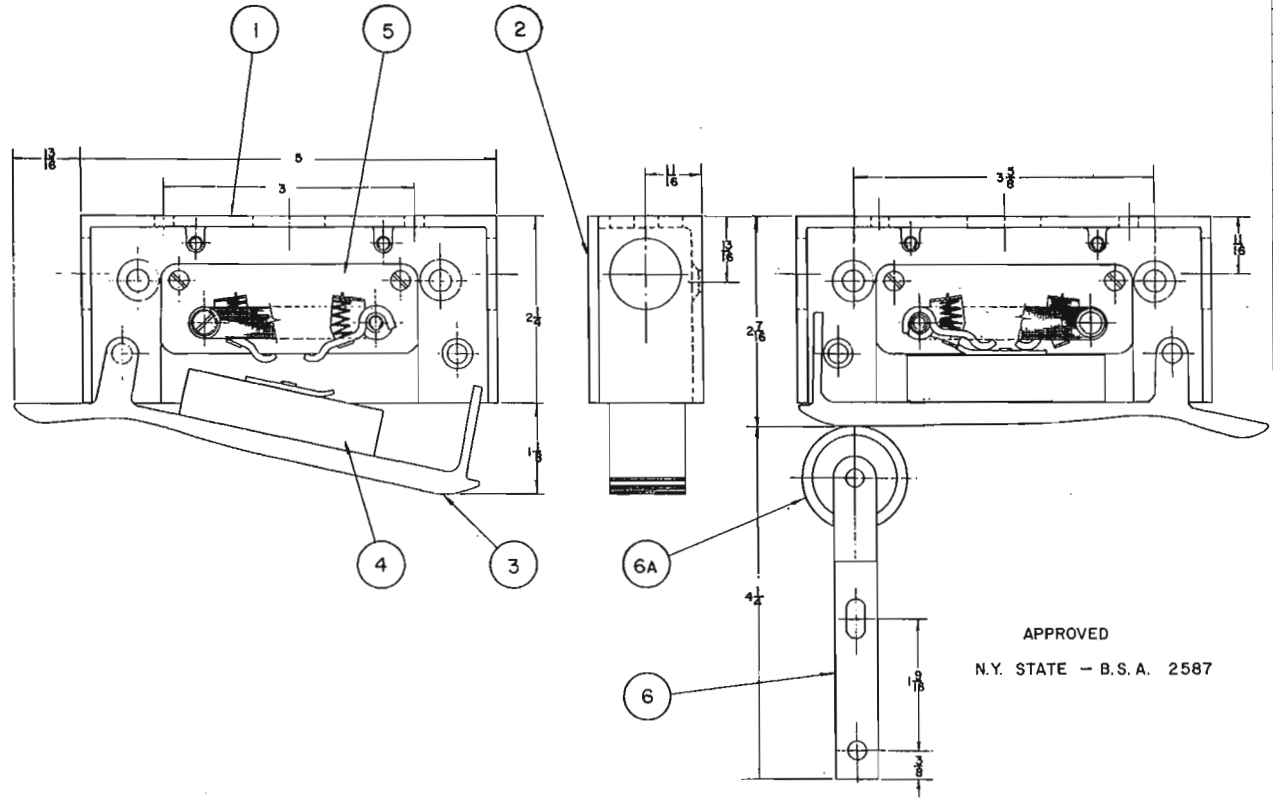
Fax 718-292-2034
Web www.gal.com
E-mail info@gal.com

SWITCH AND CONTACTS

MODEL	ITEM	PART DWG. No.
G	GATE SWITCH	SW-1
VG	GATE SWITCH	SW-2A
	BROKEN CABLE SWITCH	SW-3
LT	LIMIT SWITCH	SW-4
LS and SC	LIMIT SWITCH	SW-5
LU	MAGNETIC LEVEL SWITCH	SW-8
LUT	MAGNETIC LEVEL SWITCH	SW-9
	SINGLE DOOR CONTACT	SW-10
K-2	DOOR CONTACT	SW-11
AG	DOOR CONTACT	SW-12
CSM	DOOR CONTACT	SW-13

RIGHT HAND - OPEN

LEFT HAND - CLOSED



GATE SWITCH TYPE G (PART LIST)	
PART NO.	DESCRIPTION
SW-1-1	BOX
SW-1-2	COVER AND SCREWS WITH INSULATOR
SW-1-3	OPERATING CAM ASSEMBLY (INCLUDES PART NO. 4)
SW-1-4	BRIDGING BLOCK ASSEMBLY
SW-1-5	CONTACT BASE ASSEMBLY WITH INSULATOR
SW-1-6	ROLLER ARM ASSEMBLY (INCLUDES PART NO. 6A)
SW-1-6A	ROLLER AND PIN

NOTE: WHEN ORDERING SPECIFY THIS DRAWING NUMBER, PART NUMBER, AND HAND.

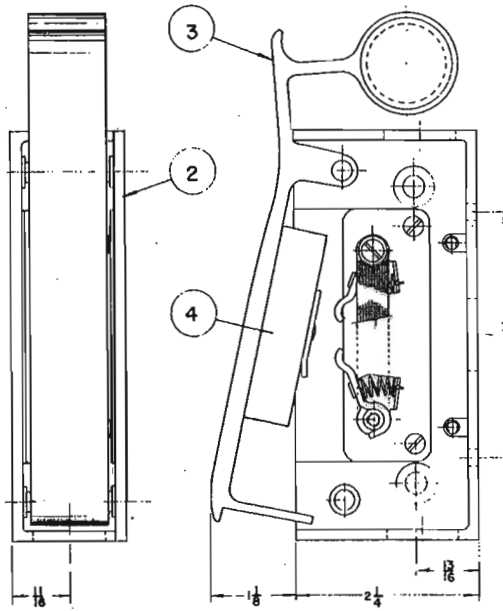
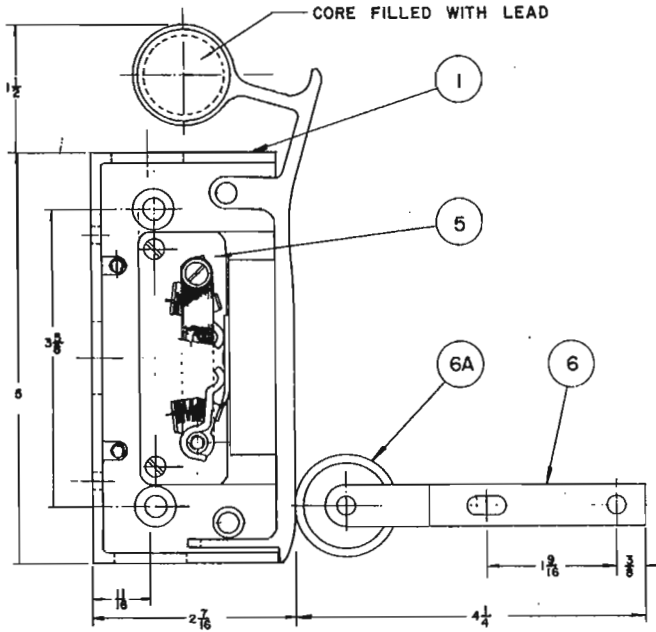
APPROVED
N.Y. STATE - B.S.A. 2587



GATE SWITCH TYPE G (PART LIST)		
SCALE	FULL	DATE JAN. 15. 1974
DWG. BY S. C. H.	CHK. BY G. F. D.	SW - 1
1 MIN. SALES	7-78	
NO. REVISION	DATE	CHK.

LEFT HAND - CLOSED

RIGHT HAND - OPEN



GATE SWITCH TYPE VG (PART LIST)

PART NO	DESCRIPTION	
SW-2-1	BOX	
SW-2-2	COVER AND SCREWS WITH INSULATOR	
SW-2-3	OPERATING CAM ASSY (INCLUDES NO.4)	
SW-2-4	BRIDGING BLOCK ASSY	
SW-2-5	CONTACT BASE ASSY WITH INSULATOR	
SW-2-6	ROLLER ARM ASSY (INCLUDES NO.6A)	
SW-2-6A	ROLLER AND PIN	

APPROVED
N.Y. STATE B.S.A 2839

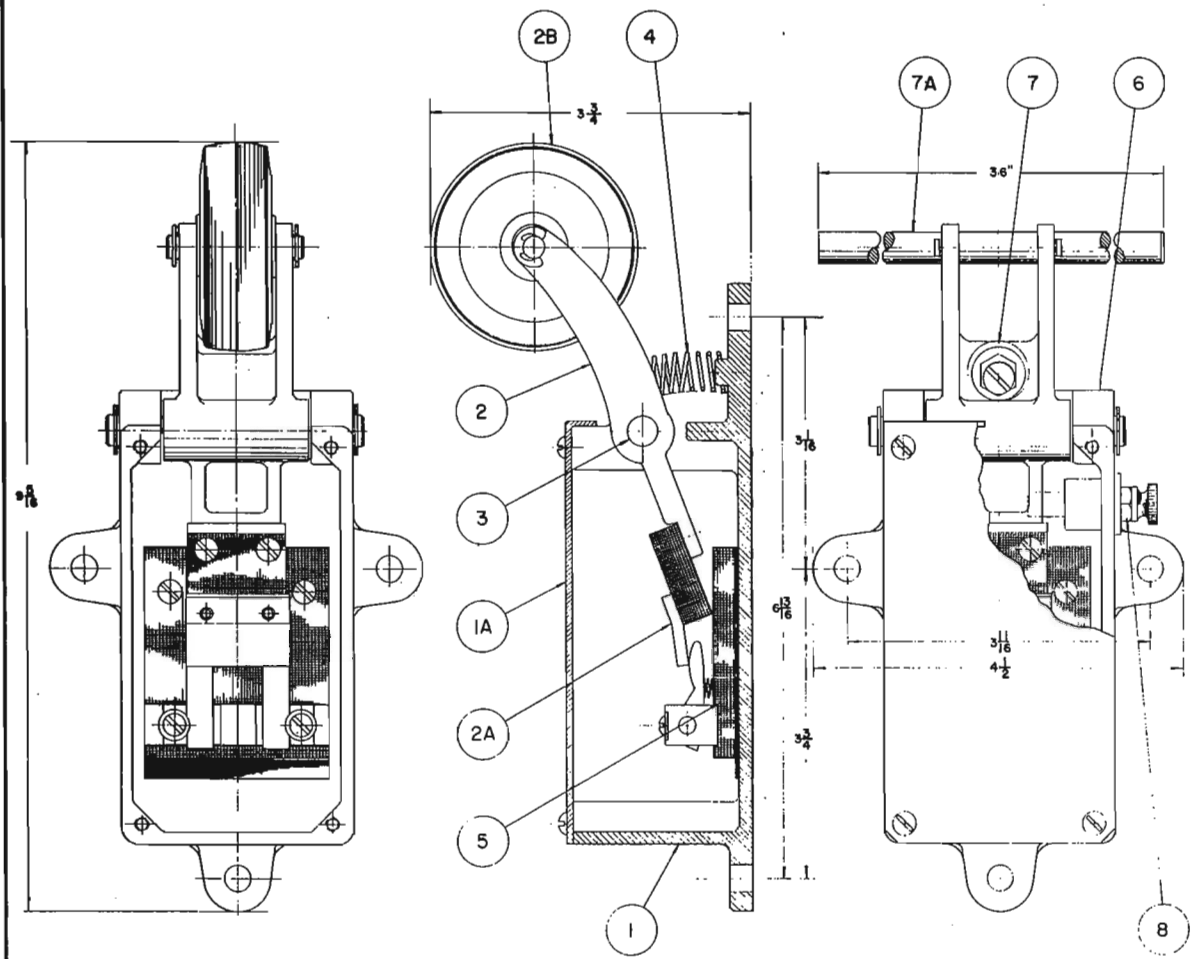
NOTE: WHEN ORDERING SPECIFY THIS
DRAWING NUMBER, PART NUMBER, AND HAND.



G. A. L. MANUFACTURING CORP.
50 EAST 153rd STREET
BRONX, N.Y. 10451

GATE SWITCH TYPE VG
(PART LIST)

A	HANDS REVERSED	10-81	SCALE	FULL	DATE	JAN. 10. 74
I	MIN. SALES	7-78	DWG. BY	S. C. H.	NO.	SW - 2 A
NO.	REVISION	DATE	CHK.	CHK. BY	Φ. R. D.	



LS HATCHWAY LIMIT SWITCH

SLACK CABLE SWITCH

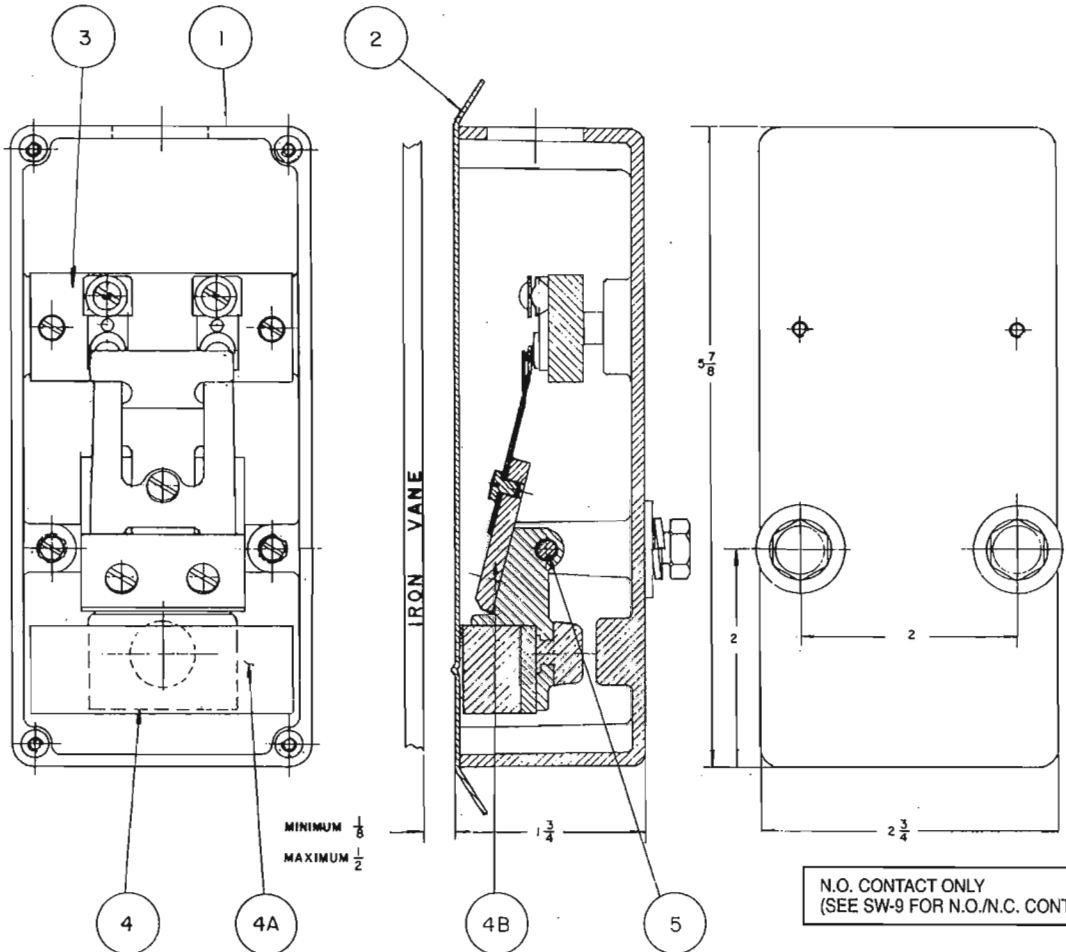
L,S LIMIT SWITCH AND SLACK CABLE SWITCH (PARTS LIST)	
PART NO.	DESCRIPTION
SW-5-1	LS LIMIT SWITCH
SW-5-1A	COVER & SCREWS
SW-5-2	CAM (INCLUDES: ARM, ROLLER & SHAFT, BRIDGING BLOCK)
SW-5-2A	BRIDGING BLOCK
SW-5-2B	ROLLER & SHAFT
SW-5-3	CAM SHAFT
SW-5-4	CAM SPRING
SW-5-5	CONTACT BASE WITH INSULATOR
SW-5-6	SLACK CABLE SWITCH WITH MANUAL RESET
SW-5-7	CAM (INCLUDES: ARM, BRIDGING BLOCK & SPRING TENSION SET SCREW)
SW-5-7A	OPERATING BAR (36" O.A.)
SW-5-8	SLACK CABLE SWITCH RESET
	ALL OTHER PARTS SAME AS LS

NOTE :
WHEN ORDERING SPECIFY THIS DRAWING NUMBER, PART NUMBER, DESCRIPTION.



LS LIMIT SWITCH AND SLACK CABLE SWITCH

SCALE FULL		DATE AUG. 30 1974	
1	MIN. SALES	7-78	DWG. BY S. C. H.
NO	REVISION	DATE	CHK BY G. P. D.
			SW - 5



N.O. CONTACT ONLY
(SEE SW-9 FOR N.O./N.C. CONTACTS)

TYPE LU
MAGNETIC LEVEL SWITCH (PARTS LIST)

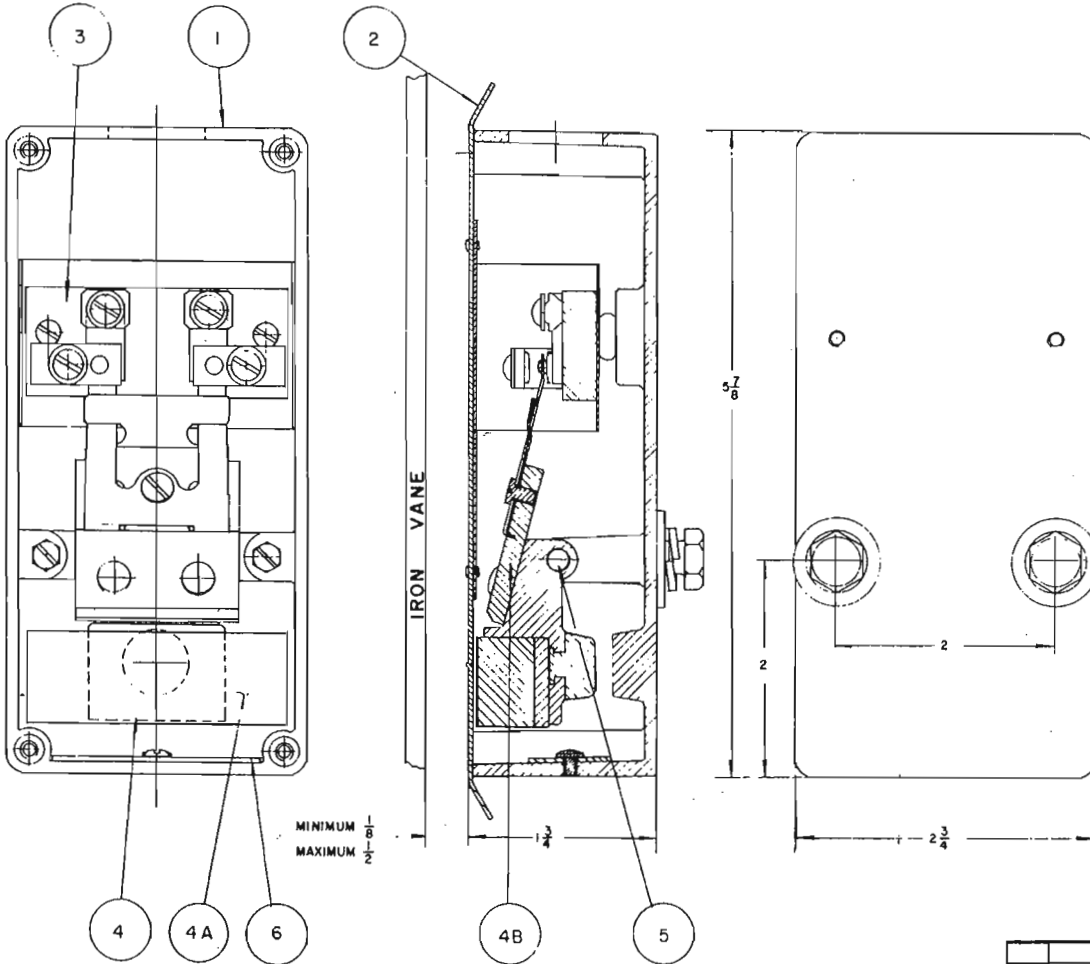
PART NO	DESCRIPTION	
SW-8-1	L.U. BOX	
SW-8-2	L.U. COVER	
SW-8-3	L.U. CONTACT BASE	
SW-8-4	L.U. CONTACT CAM ASSY	INCLUDE PARTS 'A' & 'B'
SW-8-4A	L.U. PERMANENT MAGNET	
SW-8-4B	L.U. BRIDGING BLOCK	
SW-8-5	L.U. HINGE PIN	

GAL B. A. L. MANUFACTURING CORP.
50 EAST 153rd STREET BRONX, N. Y. 10451

NOTE: WHEN ORDERING SPECIFY THIS DRAWING NUMBER, PART NUMBER, DESCRIPTION.

TYPE LU MAGNETIC LEVEL SWITCH			
2	CERAMIC MAGNET	SCALE FULL	DATE APRIL 11 1974
1	MIN. SALES	7-78	DWG. BY S. C. H.
NO.	REVISION	DATE	CHK. BY G. F. D.

SW - 8



N.O. + N.C. CONTACTS
(FOR N.O. CONTACT ONLY, SEE SW-8)

TYPE LUT
MAGNETIC LEVEL SWITCH (PARTS LIST)

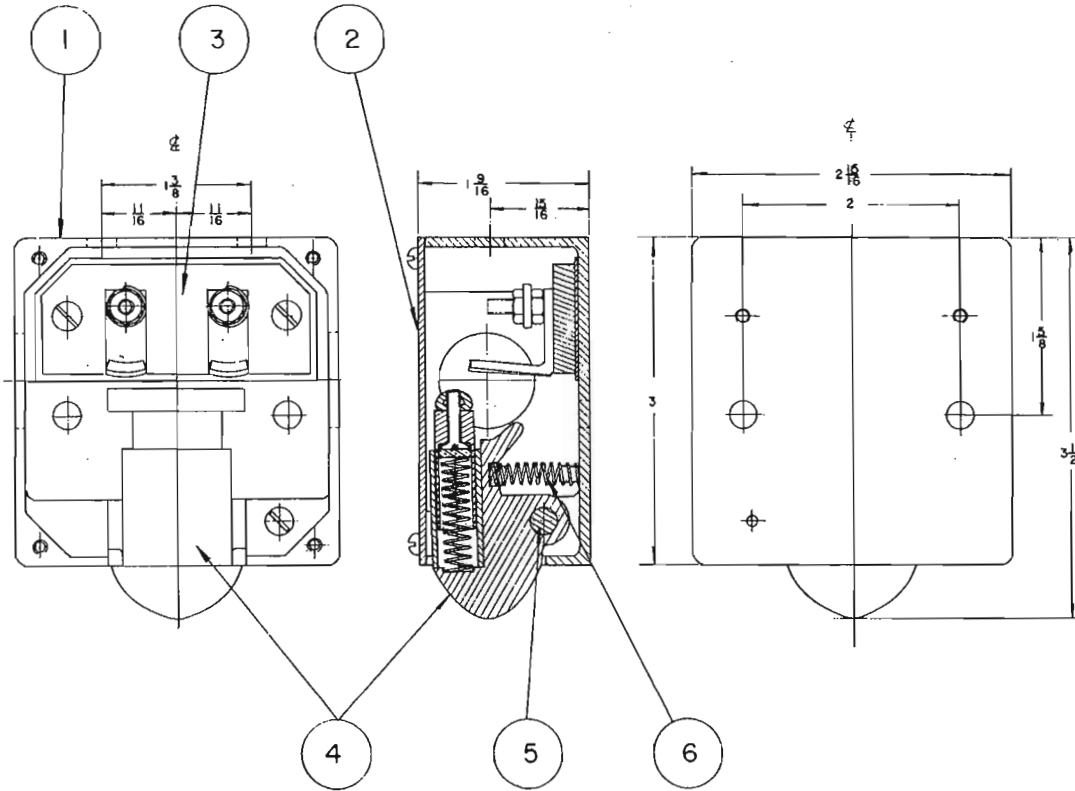
PART NO	DESCRIPTION	
SW-9-1	L.U.T. BOX	
SW-9-2	L.U.T. COVER WITH INSULATOR	
SW-9-3	L.U.T. CONTACT BASE WITH INSULATOR	
SW-9-4	L.U.T. CONTACT CAM ASSY <small>INCLUDE A & B</small>	
SW-9-4A	L.U. PERMANENT MAGNET	
SW-9-4B	L.U. BRIDGING BLOCK	
SW-9-5	L.U. HINGE PIN	
SW-9-6	L.U.T POSITIVE RETURN PLATE	

NOTE :
WHEN ORDERING SPECIFY THIS DRAWING NUMBER, PART NUMBER, DESCRIPTION.

GAL G. A. L. MANUFACTURING CORP.
ELEVATOR DEVICES 50 EAST 153rd STREET BRONX, N. Y. 10461

TYPE LUT
MAGNETIC LEVEL SWITCH

2	CERAMIC MAGNET			SCALE FULL	DATE APRIL 11, 1974
1	MIN. SALES	7-78		DWG. BY S. C. H.	
NO.	REVISION	DATE	CHK.	CH'K. BY G. F. D.	SW - 9

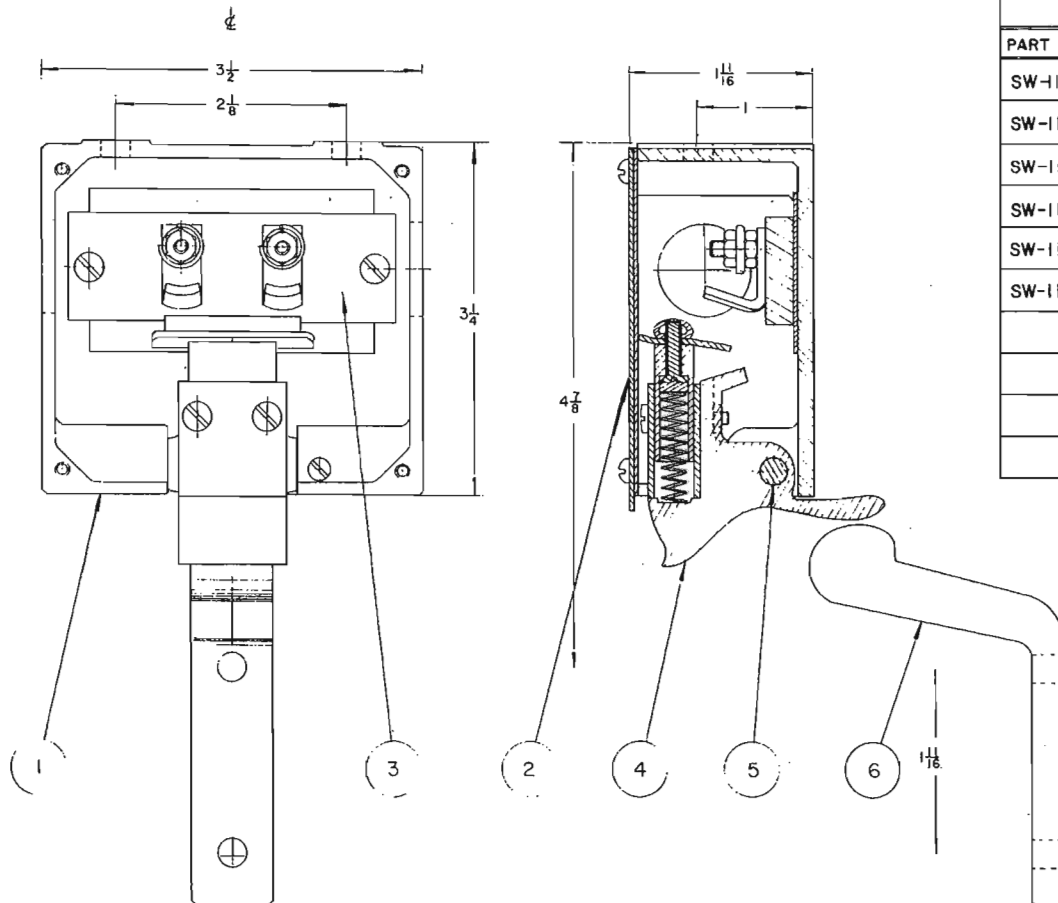


SINGLE DOOR CONTACT (PARTS LIST)	
PART NO	DESCRIPTION
SW-10-1	BOX
SW-10-2	COVER AND SCREWS
SW-10-3	CONTACT BASE WITH INSULATOR
SW-10-4	BRIDGING CONTACT CAM
SW-10-5	CONTACT CAM HINGE PIN
SW-10-6	CONTACT CAM SPRING

NOTE : WHEN ORDERING SPECIFY THIS DRAWING NUMBER, PART NUMBER, DESCRIPTION.



				SCALE FULL		DATE APRIL 16 1974	
				DWG. BY S. C. H.			
				CH'K. BY G. P. D.		SW - 10	
NO.	REVISION	DATE	CHK.				



TYPE K-2 DOOR CONTACT (PARTS LIST)

PART NO.	DESCRIPTION
SW-11-1	BOX
SW-11-2	COVER & SCREWS WITH INSULATOR
SW-11-3	CONTACT BASE WITH INSULATOR
SW-11-4	K-2 BRIDGING CONTACT CAM
SW-11-5	CONTACT CAM HINGE PIN
SW-11-6	K-2 ACTUATING ARM

NOTE :
WHEN ORDERING SPECIFY THIS DRAWING NUMBER, PART NUMBER, DESCRIPTION.

GAL G. A. L. MANUFACTURING CORP.
ELEVATOR DEVICES 50 EAST 153rd STREET BRONX, N. Y. 10451

				TYPE K-2 DOOR CONTACT			
				SCALE	FULL	DATE	
						APRIL 17 1974	
1	MIN SALES	7-78		DWG. BY	S.	C.	H.
NO.	REVISION	DATE	CHK.	CH'K. BY	G.	F.	D.
				SW - 11			

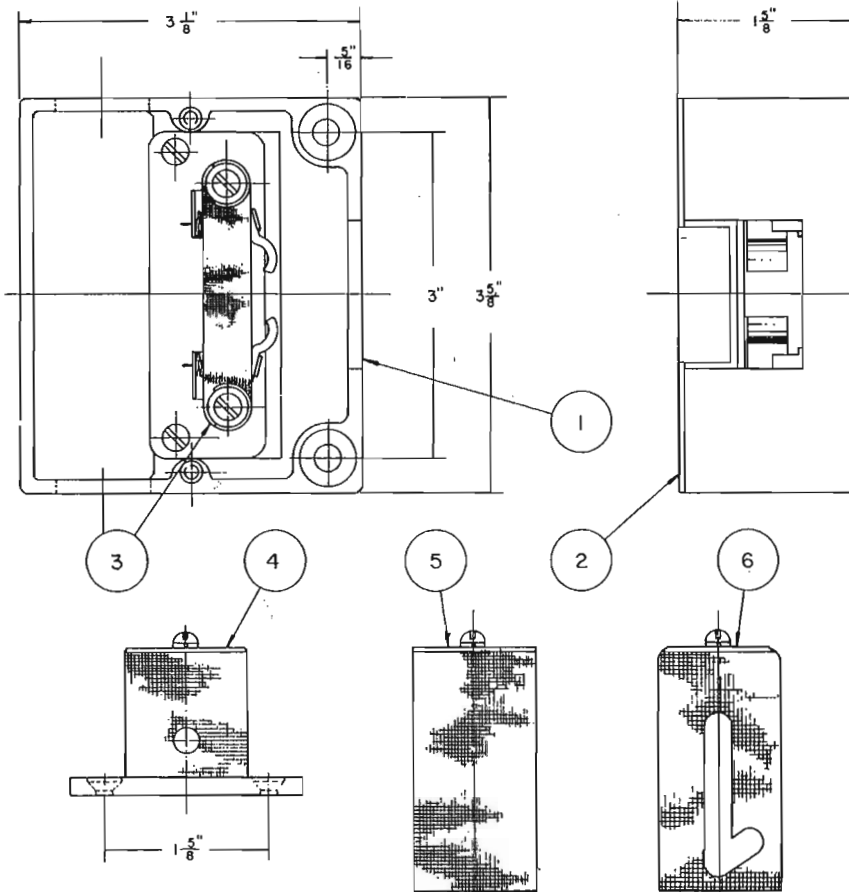


FIG. 3- AG
STANDARD KEEPER

FIG. 1- A G
SPECIAL KEEPER

FIG. 2- AG
SPECIAL HOLLISTER
KEEPER

WHEN ORDERING PARTS, GIVE PART NUMBER,
DESCRIPTION AND THIS DWG. NUMBER.

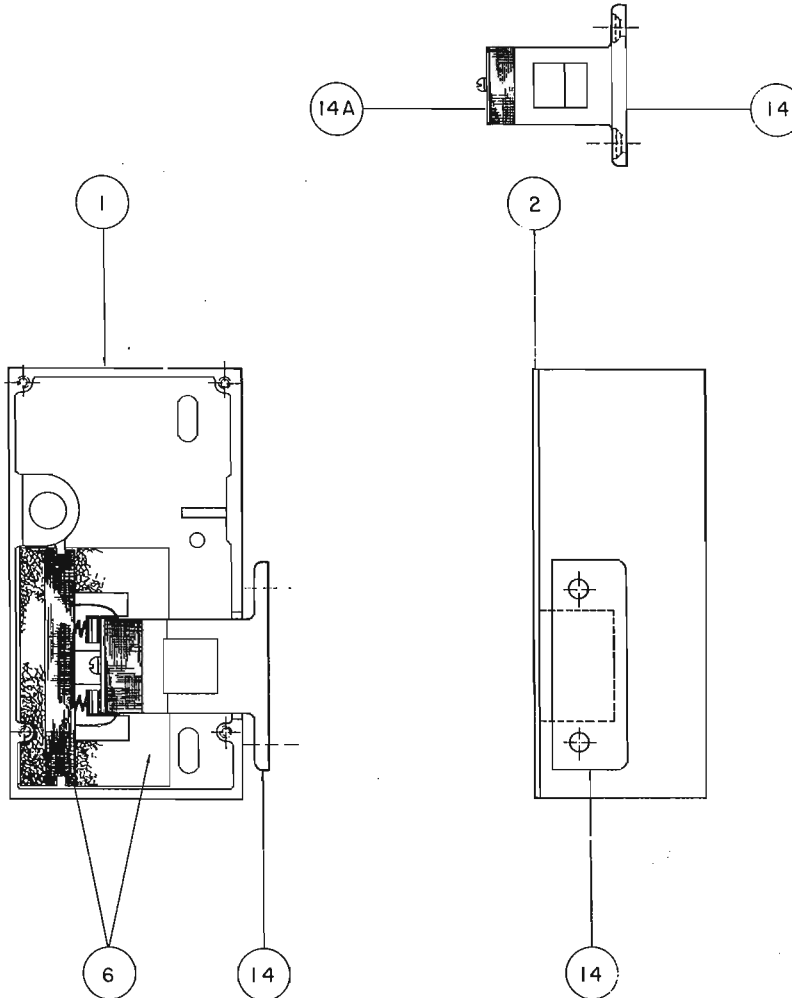
TYPE AG
DOOR CONTACT (PARTS LIST)

PART NO.	DESCRIPTION	
SW-12-1	BOX	
SW-12-2	COVER AND SCREWS WITH INSULATOR	
SW-12-3	CONTACT BASE ASSY WITH INSULATOR	
SW-12-4	STANDARD KEEPER FIG. 3- AG	
SW-12-5	SPECIAL KEEPER FIG. 1- AG	
SW-12-6	SPECIAL HOLLISTER KEEPER FIG. 2- AG	

GAL
ELEVATOR SERVICE
G. A. L. MANUFACTURING CORP.
60 EAST 153rd STREET
BRONX, N. Y. 10451

TYPE AG
DOOR CONTACT

					SCALE FULL	DATE APRIL 29, 1974
1	MIN. SALES	7-78	DWG. BY	S. C. H.		
	REVISION	DATE	CHK. BY	G. F. P.		SW - 12



**CSM DOOR CONTACT
(PARTS LIST)**

PART N ^o	DESCRIPTION
SW-C-13-1	SWITCH BOX
SW-C-13-2	COVER & SCREWS WITH INSULATOR
SW-C-13-6	CONTACT BASE WITH INSULATOR
SW-C-13-14	KEEPER ASSY (FOR KEEPER ARRANGEMENT) (SEE DWG. INT-4-M14-2)
SW-C-13-14A	KEEPER BRIDGING BLOCK

NOTE: WHEN ORDERING SPECIFY THIS DWG. NUMBER,
PART NUMBER, DESCRIPTION AND HAND.

RH SHOWN
LH OPPOSITE AS SHOWN



**CSM DOOR CONTACT
(PARTS LIST)**

SCALE		DATE 7-1-63	
DWG. BY WJR		CHY. BY O. F. D.	
NO.		REVISION	

SW-13