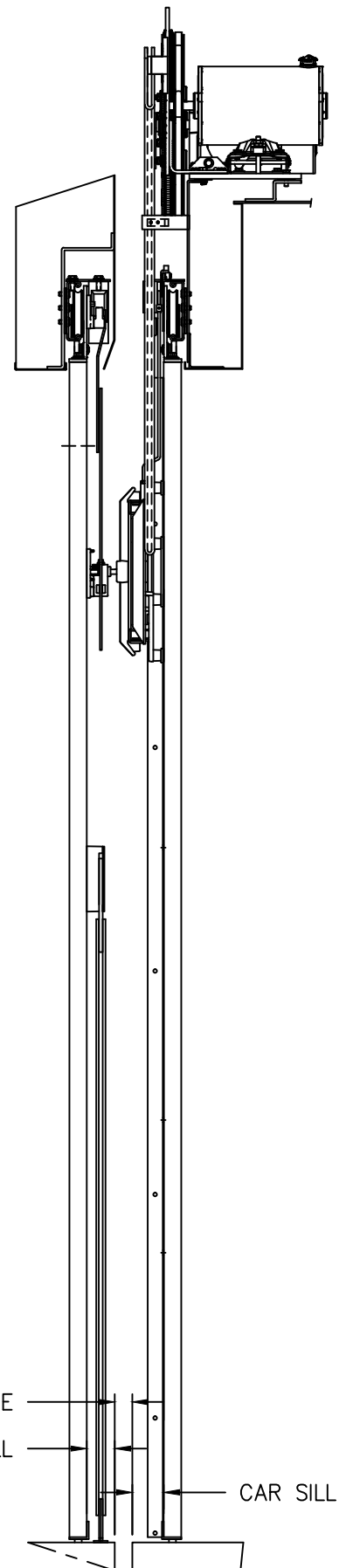
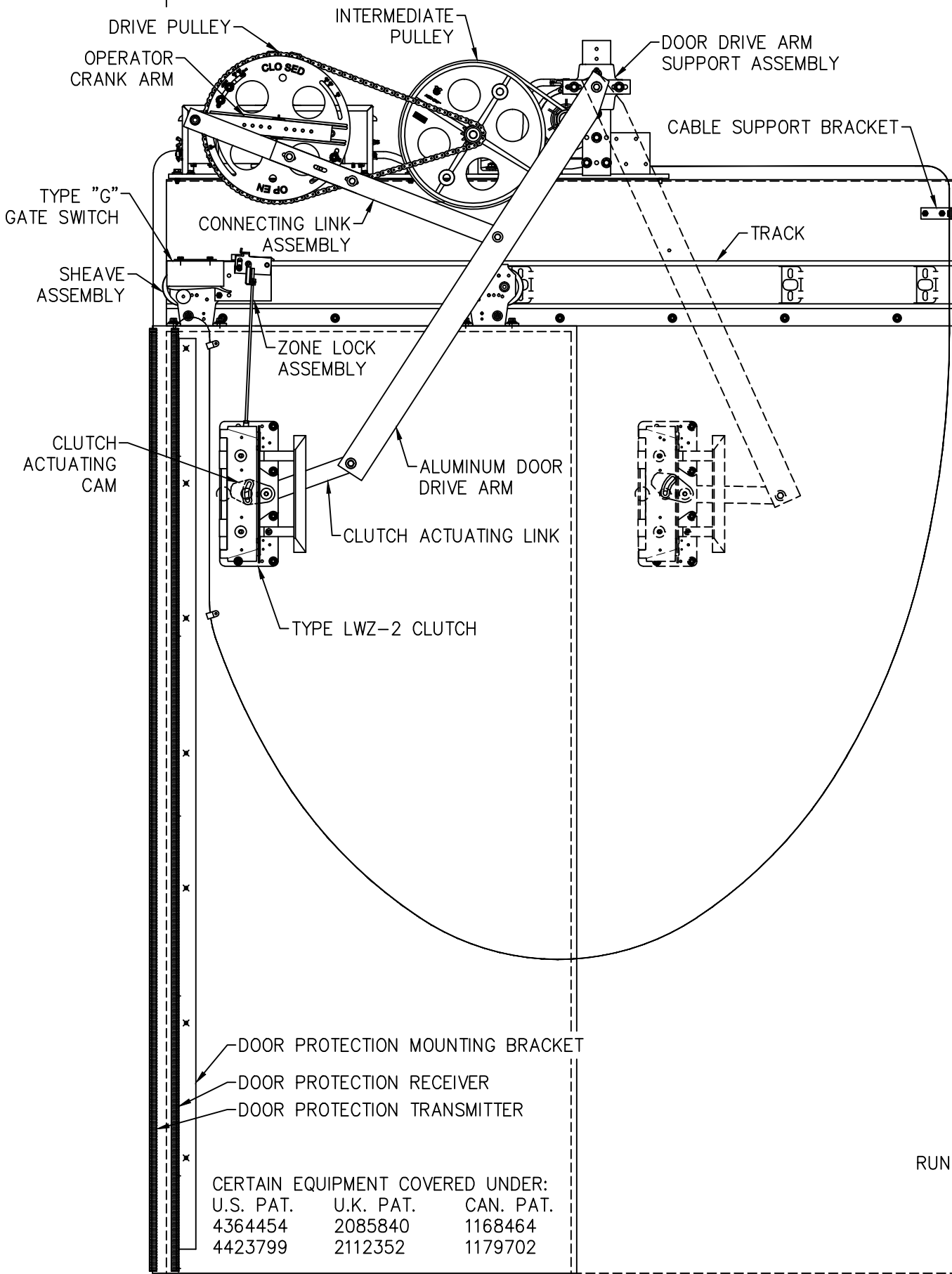
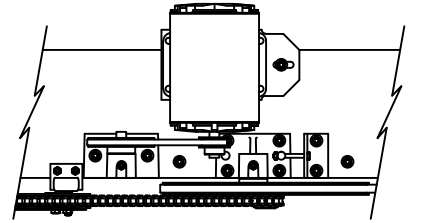


43-48 DOOR OPENING
REDUCTION UNIT IS SUPPLIED
ON MOHCTL AND MOHL
OPERATORS



CERTAIN EQUIPMENT COVERED UNDER:
U.S. PAT. 4364454
U.K. PAT. 2085840
CAN. PAT. 1168464
4423799 2112352 1179702

LEFT HAND SHOWN
RIGHT HAND OPPOSITE

- WARNING -
G.A.L. PROPRIETARY INFORMATION
REPRODUCTION AND/OR USE OF ALL OR ANY
PART OF THIS (THESE) PAGE(S) OR DRAWING(S)
OR THE INFORMATION HEREIN, WITHOUT THE
EXPRESS PERMISSION OF G.A.L. MANUFACTURING
CORPORATION IS STRICTLY PROHIBITED BY LAW.
- VIOLATORS WILL BE PROSECUTED -

REV	DESCRIPTION	DATE
E	DRAWING UPDATE	10-14-13
D	TEMPLATE & MOVFR UPDATED	07-09-13
C	LWZ-2 CLUTCH ADDED	10-19-05
B	MOVFR OPERATOR ADDED	05-28-04
A	MOCT OPERATOR ADDED	09-12-95

SINGLE SPEED CAR ASSEMBLY
TYPE "A" HANGER WITH INFRARED DOOR PROTECTION



G.A.L. MANUFACTURING CORP.
50 E. 153rd STREET, BRONX, N.Y. 10451
PHONE: (718) 292-9000, FAX: (718) 292-2034
www.GAL.com, info@GAL.com

DATE 08-31-1994
DOCUMENT No. 8221-1

REV E