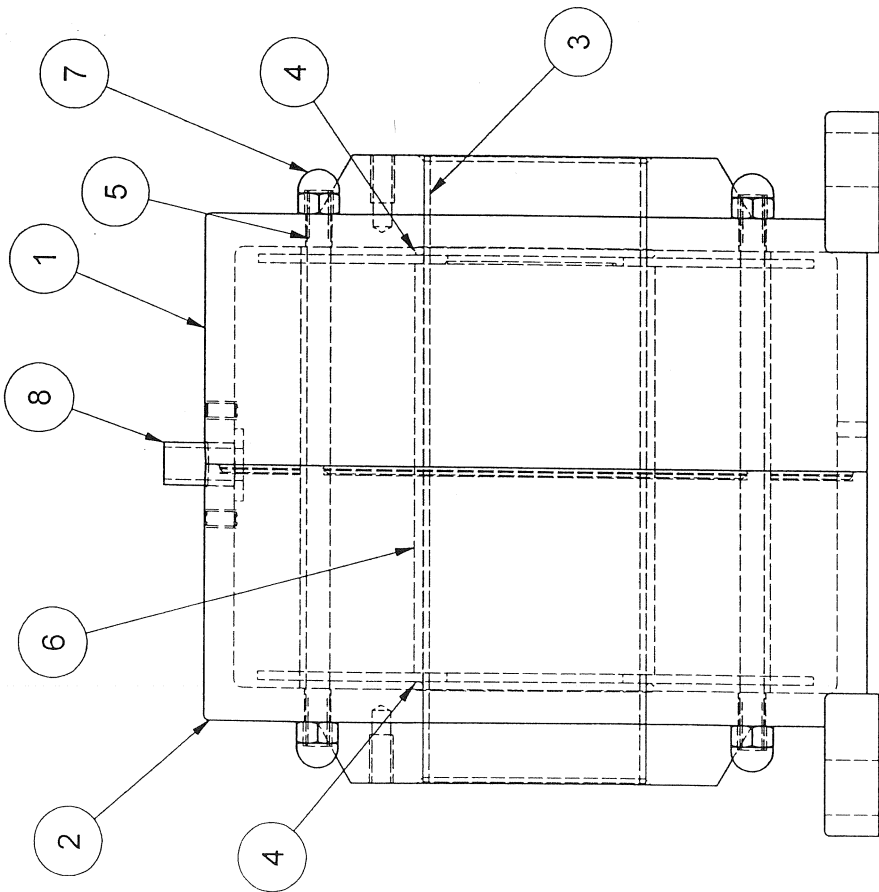


ITEM	QTY	PART NUMBER	DESCRIPTION
1	1	102-004 M	SOLENOID HOUSING - MALE
2	1	102-004 F	SOLENOID HOISING - FEMALE
3	1	102-009	PLUNGER TUBE
4	2	102-079	O-RING AS568A-142, COIL HOUSING
5	4	102-010	SOLENOID HOUSING ROD
6	1	102-073	COIL - 230 VOLT
	1	102-074	COIL - 115 VOLT
7	8	1/4 - 20 UNC	ACORN NUT
8	1	90-025	INSULATING BUSHING

**INSTRUCTIONS**

- 1) Using an ohm meter, check Coil (ITEM #6) to assure continuity. Full voltage will be applied later during Brake Adjustment.
- 2) Insert Brass Plunger Tube (ITEM #3) into one side of Housing (ITEM #1 or #2).
- 3) Place one O-ring (ITEM #4) over Plunger Tube and press O-ring down against inside of Housing.
- 4) Slip Insulation Bushing (ITEM #8) over Coil lead wires and insert Coil over Plunger Tube into Housing.
- 5) Slip second O-ring over Plunger Tube and press O-ring down against Coil.
- 6) Put other half of Housing in place and secure Housing together with Housing Rods (ITEM #5) and Acorn Nuts (ITEM #7).



<b>HOLLISTER-WHITNEY</b>		ELEVATOR CO.	
TITLE COIL REPLACEMENT INSTRUCTIONS - 102/112 DISC BRAKE			
DRAWN BY LTL	SCALE NA	MATERIAL	DIMENSIONAL TOL. 1 PLACE ±0.1 2 PLACE ±0.01 3 PLACE ±0.001 ANGLES ±0.1° REF. - OPEN (NOMINAL) READING
SHEET SIZE A	DATE 11/13/03	E-129	