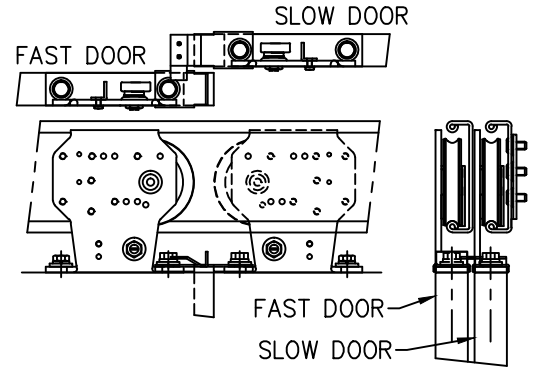


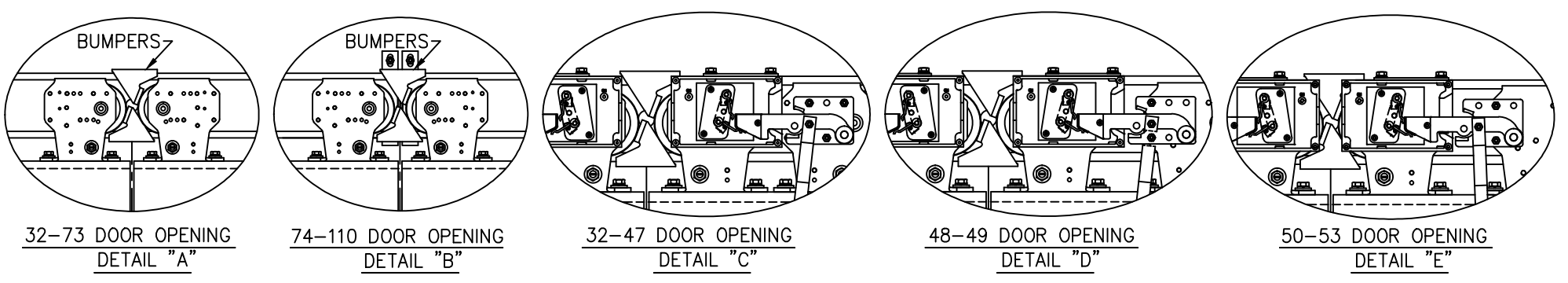
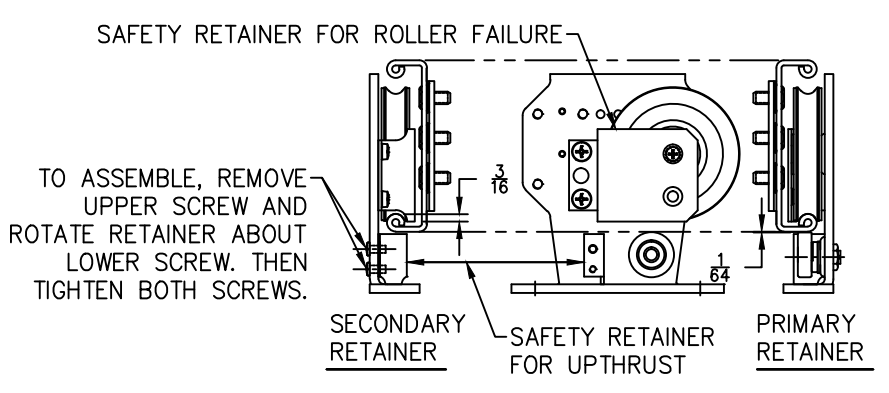
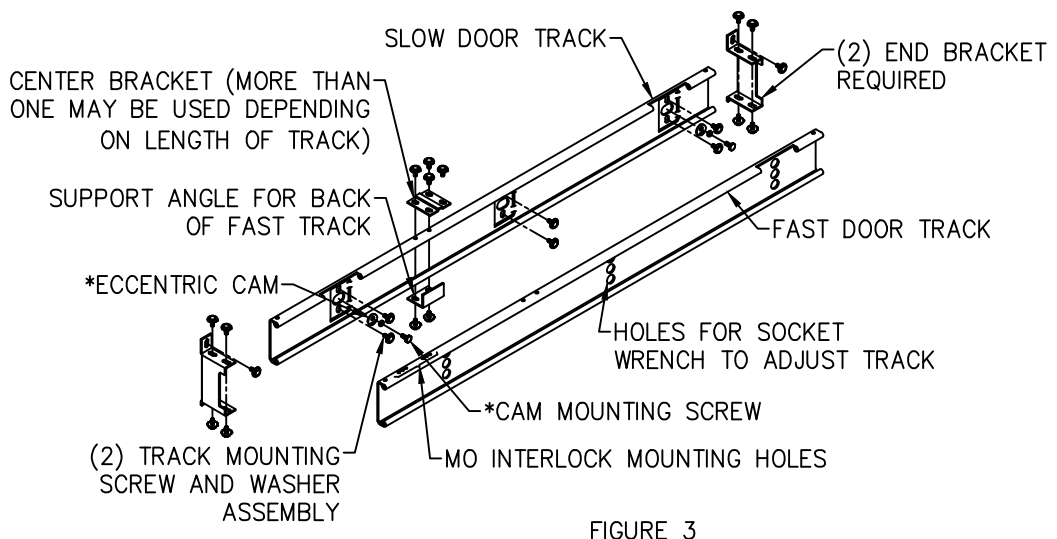
D	E
18	
16	1/8
14 1/2	
12 1/2	
12 1/8	
11 5/8	3/16
11 1/8	
10 5/8	
10 1/8	
9 5/8	
9 1/8	1/4
8 5/8	
8 1/8	
7 1/8	
6 5/8	5/16
6 1/8	
5 5/8	

DOOR OPENING	A	B	C
105-110	72	11	11
99-104	60	11	9 3/4
91-98	52	12	10 1/4
83-90	48	10 1/2	9 1/4
71-82	48	9	8 1/4
56-70	42	9	7
55	42	7 1/2	8 1/4
52-54	42	7 1/2	7 1/4
32-39,42,43,46,51	42	7 1/2	6 1/8
41,45,47,50	42	7 1/2	5 3/4
40,44,48,49	42	7 1/2	5 3/8

THIS TABLE IS BASED ON A 1/32 SHIM PLACED BETWEEN THE SHEAVE AND THE TOP OF THE DOOR.
TO CORRECT DOOR MISALIGNMENT
FIGURE 2



*USED ON END MOUNTING POSITIONS ONLY



INSTALLATION INSTRUCTIONS:

- NOTE: SLOW SPEED TRACK COMES ASSEMBLED WITH ALL BRACKETS.
1. MOUNT SLOW SPEED TRACK TO HEADER AND SET ECCENTRIC CAM SO THAT THE TRACK IS IN THE LOWEST POSITION. HAND TIGHTEN ALL SCREWS.
 2. HANG SLOW SPEED DOOR AND ROTATE ECCENTRIC CAM TO RAISE DOOR TO REQUIRED SILL CLEARANCE. ADJUST UPTHURST ROLLERS TO CLEAR TRACK BY APPROXIMATELY 1/64 INCH.
 3. CHECK DOOR ALIGNMENT IN OPENED AND CLOSED POSITION AND CORRECT PER FIGURE 2. IF REQUIRED, READJUST SLOW SPEED TRACK.
 4. TIGHTEN ALL SCREWS.
 5. MOUNT FAST SPEED DOOR TRACK.
 6. MOUNT FAST SPEED DOOR. CHECK DOOR ALIGNMENT AND CORRECT PER FIGURE 2.

- WARNING -
G.A.L. PROPRIETARY INFORMATION
REPRODUCTION AND/OR USE OF ALL OR ANY PART OF THIS (THESE) PAGE(S) OR DRAWING(S) OR THE INFORMATION HEREIN, WITHOUT THE EXPRESS PERMISSION OF G.A.L. MANUFACTURING CORPORATION IS STRICTLY PROHIBITED BY LAW.
- VIOLATORS WILL BE PROSECUTED -

REV	DESCRIPTION	DATE
C	DRAWING & SPRING CLOSER BASE UPDATE	12-20-13
B	UPDATED TEMPLATE & HANGER	07-11-13
A	DOOR OPENING	05-19-10

**TWO SPEED CENTER OPENING HATCH DOOR ASSEMBLY
TYPE "A" HANGER WITH SPRING DOOR CLOSER**

	G.A.L. MANUFACTURING CORP. 50 E. 153rd STREET, BRONX, N.Y. 10451 PHONE: (718) 292-9000, FAX: (718) 292-2034 www.GAL.com, info@GAL.com	DATE 11-03-1994	REV
		DOCUMENT No. 8255	C