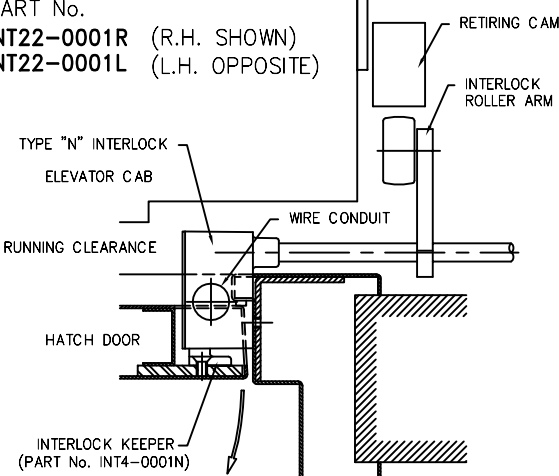


**TYPE "N" INTERLOCK ASSY
SWING DOORS**

(RETIRING CAM PERPENDICULAR TO THE DOOR)

SURFACE MOUNTED LOCK

PART No.
INT22-0001R (R.H. SHOWN)
INT22-0001L (L.H. OPPOSITE)

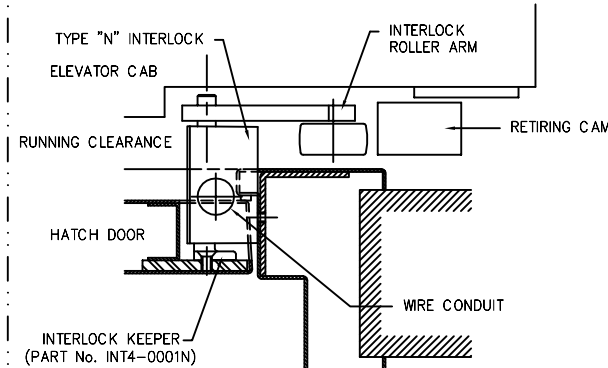


**TYPE "N" INTERLOCK ASSY
SWING DOORS**

(RETIRING CAM PARALLEL TO THE DOOR)

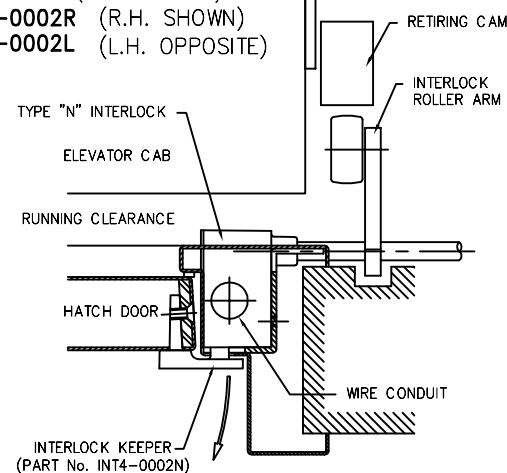
SURFACE MOUNTED LOCK

PART No.
INT22-0004R (R.H. SHOWN)
INT22-0004L (L.H. OPPOSITE)



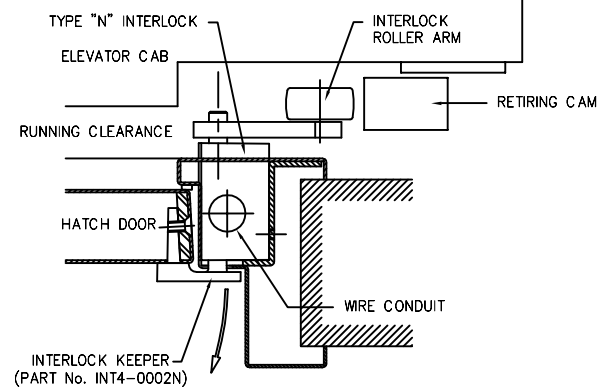
FLUSH MOUNTED LOCK

PART No. (SEE NOTE 3)
INT22-0002R (R.H. SHOWN)
INT22-0002L (L.H. OPPOSITE)



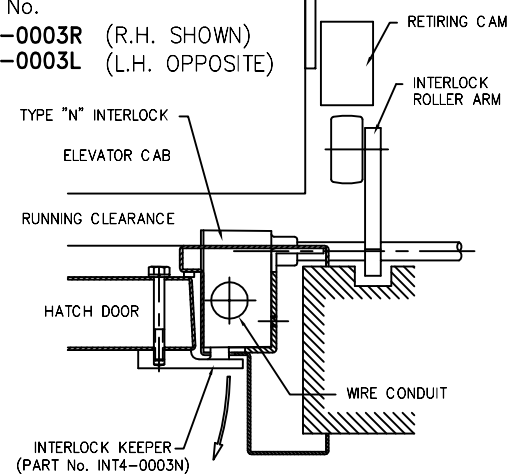
FLUSH MOUNTED LOCK

PART No.
INT22-0005R (R.H. SHOWN)
INT22-0005L (L.H. OPPOSITE)



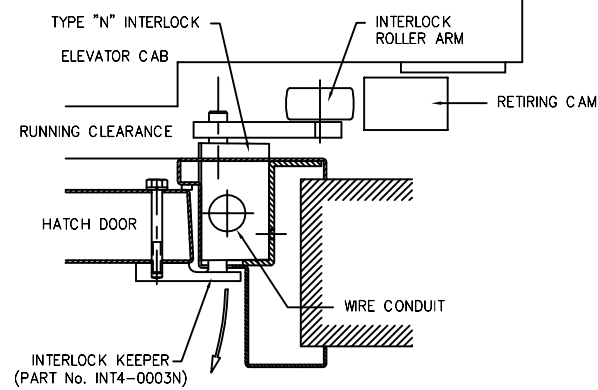
**FLUSH MOUNTED LOCK
W/KALAMEIN DOORS**

PART No.
INT22-0003R (R.H. SHOWN)
INT22-0003L (L.H. OPPOSITE)



**FLUSH MOUNTED LOCK
W/KALAMEIN DOORS**

PART No.
INT22-0006R (R.H. SHOWN)
INT22-0006L (L.H. OPPOSITE)

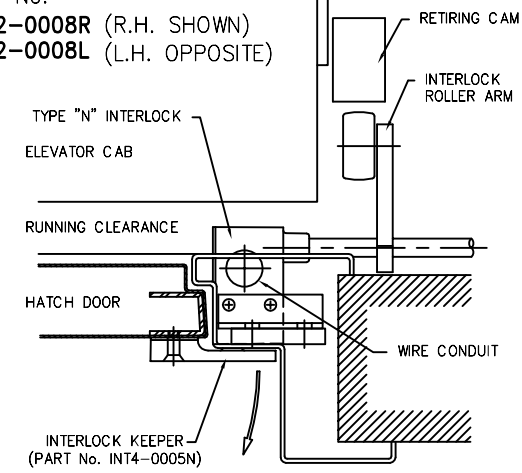


**TYPE "N" INTERLOCK ASSY
SWING DOORS**

(EXISTING WESTINGHOUSE OR OTIS LOCK CUTOUTS)

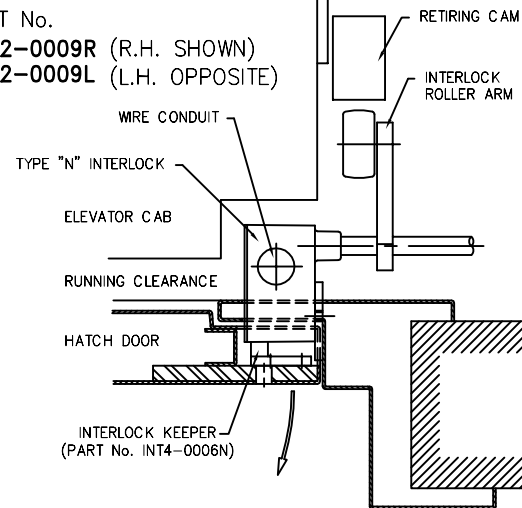
**EXISTING WESTINGHOUSE
SW-1 LOCK CUTOUTS**

PART No.
INT22-0008R (R.H. SHOWN)
INT22-0008L (L.H. OPPOSITE)



**EXISTING OTIS
L LOCK CUTOUTS**

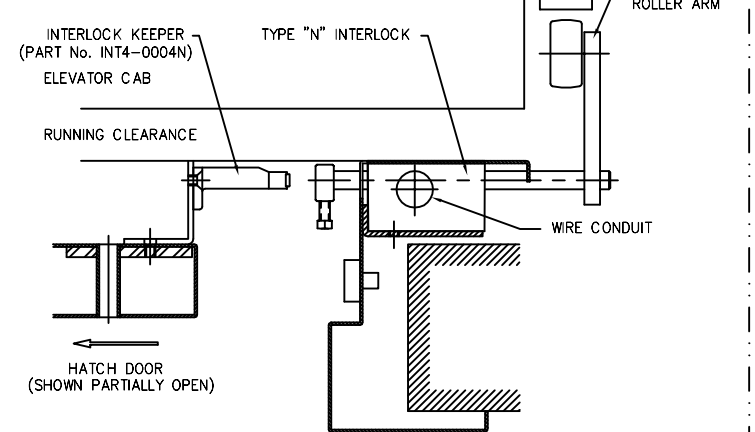
PART No.
INT22-0009R (R.H. SHOWN)
INT22-0009L (L.H. OPPOSITE)



**TYPE "N" INTERLOCK ASSY
SLIDE DOORS**

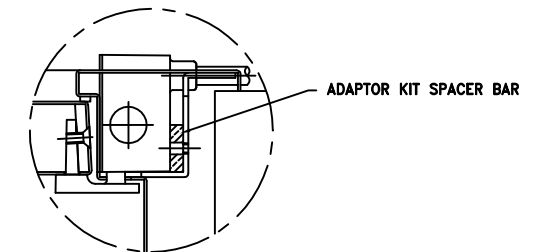
FLUSH MOUNTED LOCK

PART No.
INT22-0007R (R.H. SHOWN)
INT22-0007L (L.H. OPPOSITE)



ORDERING INSTRUCTIONS

- 1.-WHEN ORDERING REFER TO THE PART NUMBER SHOWN NEXT TO THE ARRANGEMENT THAT SUITS YOUR APPLICATION.
EXAMPLE: INT22-0007R TYPE "N" INTERLOCK SLIDE DOOR (RH)
- 2.-IF REPLACING A TYPE "M" INTERLOCK, GAL WILL SUPPLY ADAPTOR KIT No. INT22-0023N DUE TO THE DIFFERENCE IN DEPTH BETWEEN THE LOCKS. SEE DRAWING BELOW.



- 3.-WHEN MAKING NEW DOORS AND BUCKS, THE ARRANGEMENT SHOWN WITH PARTS No. INT22-0002R AND INT22-0002L SHOULD BE THE ONE USED.
- 4.-FOR DOOR AND JAMB DRILLING AND REINFORCEMENT SEE CHART BELOW.

INT22-0001R/1L } INT22-0004R/4L }	DWG. M-7141-2A
INT22-0002R/2L } INT22-0005R/5L }	DWG. M-7141-1A
INT22-0003R/3L } INT22-0006R/6L }	DWG. M-7141-1A DWG. S-6762
INT22-0008R/8L }	EXISTING DRILLINGS
INT22-0009R/9L }	EXISTING KEEPER DRILLINGS REDRILL IN FIELD FOR LOCK MOUNTING
INT22-0007R/7L }	DWG. M-7214

**TYPE "N" INTERLOCK
TYPICAL MOUNTING ARRANGEMENTS FOR
SWING AND SLIDE DOOR INSTALLATIONS**
(SCALE: 7/32) 7974 (4/24/91)

