



GAL Elevator Products Corporation

6500 Gottardo Court
Mississauga, Ontario
L5T 2A2

Phone (888) 425-226... Fax (416) 747-9035

MACHINE PACKAGE ORDER FORM



Name _____
Company _____
Address _____

Date: _____
Your P.O.# _____
Job Name: _____
Req'd Date: _____

ELEV.NO. _____ CAPACITY _____ SPEED _____ GEARED / GEARLESS _____ (1:1) OR (2:1) _____
HAND _____ PITCH _____ SHEAVE DIAMETER _____ # OF ROPES _____
PWR SUPPLY _____ SIZE OF ROPES _____ EMPTY CAR WEIGHT _____ CONTROLLER TYPE _____
ARC OF CONTACT ON TRACTION SHEAVE _____ TOTAL CAR WEIGHT _____ CWT WEIGHT & COMP. WEIGHT _____

SELECTION MACHINE & ACCESSORIES SIMPLEX DUPLEX TRIPLEX

OVERHEAD OR **BASEMENT SET** "CHECK STYLE"
BASEMENT USED IN THE OVERHEAD
MOTOR by REULAND or OTHER _____ "CIRCLE STYLE" Confirm MOTOR VOLTAGE Required: _____

Check this box if there is an "EXISTING DEFLECTOR"

GOVERNOR ASSEMBLY HAND _____ TRIP _____ PULL-THRU _____ SHEAVE DIAMETER _____ SIZE OF ROPES _____

Check this box if governor is "SELF-RESETTING"

Check this box if governor is "LIVE-SHAFT"

TENSION WEIGHT ASSEMBLY RAIL SIZE _____ ROPE SIZE _____

ROPE GRIPPER OUT TO OUT MEASUREMENT OF CABLES _____ CAN GRIPPER FIT UNDER MACHINE _____

ROPE GRIPPER PROVISIONS (size 44OH, 54OH and 64OH only) AVAILABLE ON TRUE BASEMENT APPLICATION

MANUAL BRAKE RELEASE

DEFLECTOR SHEAVE (if required) SIZE _____

ISOLATION ASSEMBLY (includes PADS, BRACKETS & 3 BLOCKING BEAMS)

PADS AND BRACKETS ONLY (Less Beams)

MACHINE COLOUR GREY OTIS BLUE TRANSEL BLUE BLACK

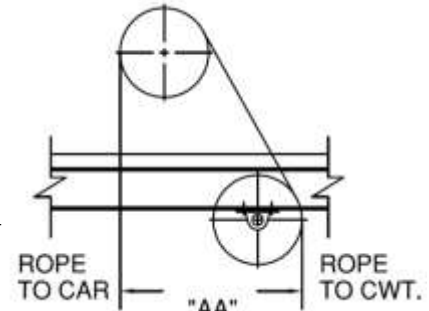
SAFETY TYPE A TYPE B FACE TO FACE OF GUIDE RAILS _____ underside of SAFETY CHANNELS underside of CROSSHEAD _____

BUFFER SPRING _____ OIL _____
PIT CHANNELS required YES _____ NO _____ QTY for CAR: _____
SWITCH required (Oil Only) YES _____ NO _____ QTY for CWT: _____
BUFFER STRUT required YES _____ NO _____
OVERALL HEIGHT OF BUFFER _____
STROKE _____

GUIDE ROLLER/SHOE ASSEMBLY CAR _____ CWT _____ SPECIFY TYPE OR HOLLISTER WHITNEY MODEL #

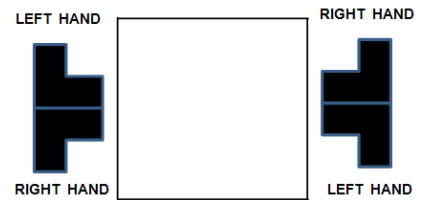
OPTIONAL EQUIPMENT

- DRIP PANS
- SEISMIC
- SHEAVE GUARD
- NEMA 4 (Brake **not** Included)



CAR TO CWT ROPE DROP DISTANCE "AA" _____

H-W determines governor hand according to the diagram shown, which is based on governor rope location looking into the hoistway from the hallway



Front of Car

